

TYPE: _____
 JOB: _____

SPECIFICATIONS

HOUSING - Precision die-formed, heavy gauge, CRS. Welded end plates, no visible seam.

ELECTRICAL - MR-16, remote transformer required, sold separately. Maximum 60 watts per foot.

SOCKET - Precision die formed aluminum socket plate. G-4/G-6 with 250°C 600v Teflon coated lead wires.

MOUNTING - Recessed, for installation in millwork ceiling.

LABELS - UL, C-UL -Dry Location.

LAMP - MR-16, 12v, 20w (narrow spot recommended) - by others.

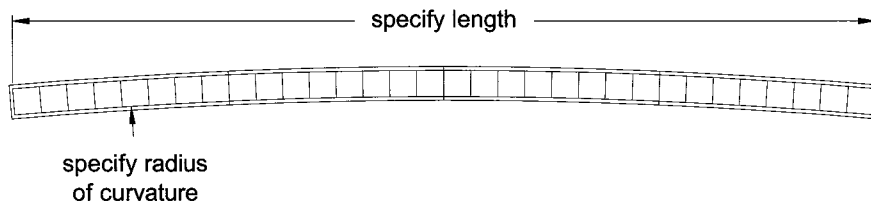
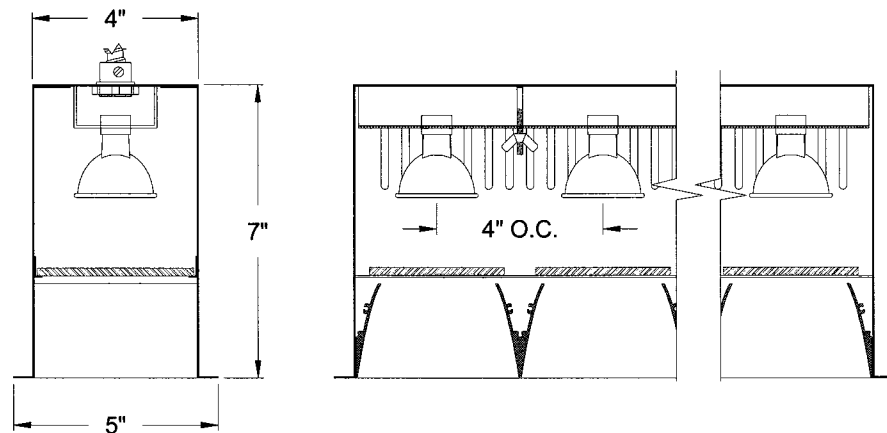
LENS - Supertex borosilicate glass.

HOUSING FINISH - Black powder paint on all recessed surfaces.

BAFFLE FINISH - RAL colors standard, consult factory for custom finishes.

APPLICATIONS

Large profile, recessed, designed to graze down walls and other flat surfaces by positioning the trim of the fixture housing near the surface to be illuminated.



ORDERING INFORMATION

FIXTURE	LENGTH	RADIUS	BAFFLE FINISH
#811C			
Recessed linear wall grazing system	specify exact length	specify radius	WHT = White BLK = Black XXXX = RAL # CST = Custom (must supply chip)



SPECIALTY LIGHTING INDUSTRIES, INC. ©2004

1306 DORIS AVENUE OCEAN, NJ 07712 800.462.7812 732.517.0800 FAX 732.517.0971 www.specialtylightingindustries.com

These specifications subject to change without notice.