

Dual lamp, solid state light engine, recessed combination wallwasher and downlight with 4"x 8" (100mm x 200mm) rectilinear 2 cell aperture and flangeless trim. Wallwash and downlighting in low to medium ceiling heights typically found in residential, commercial and retail applications. Suitable for new or existing construction in sheetrock ceilings. AmbientDim™ provides Superior CRI at all dimming levels.

SPECIFICATIONS

HOUSING

- Precision die-formed heavy gauge aluminum

MOUNTING

- Install from below in sheetrock ceiling

ELECTRICAL

- Integral dimmable electronic driver with internal short circuit protection

LAMP

- (2) AmbientDim™ LEDs supplied with fixture

SOCKET

- Precision aluminum yoke with CNC machined lampholder assembly

LENS

- Frosted Supertex borosilicate spread lens, hinged for relamping


TRIM

- Flangeless, two piece die-cast aluminum pyramidal shield

FINISH

- Black powder paint housing
- Aperture trim available in black and white as standard
- Solid wood, additional colors, RAL palette, custom finishes available

LABELS

-  , US tested to UL standards 1598, Damp location

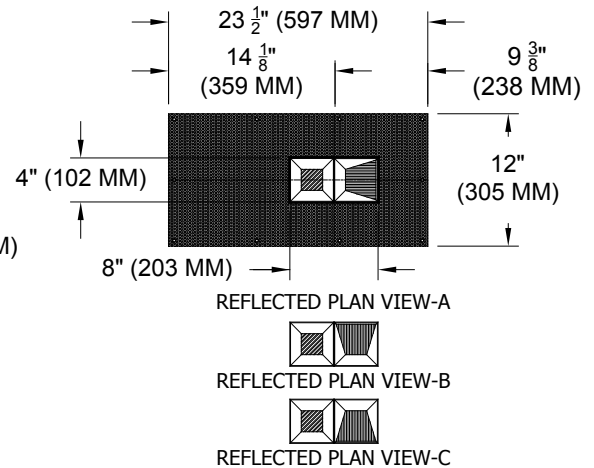
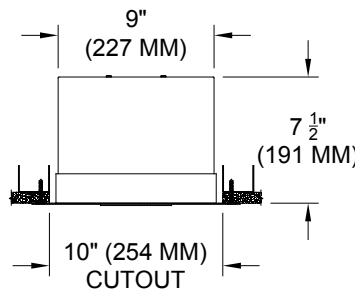
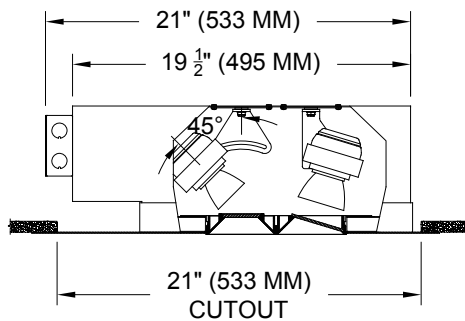
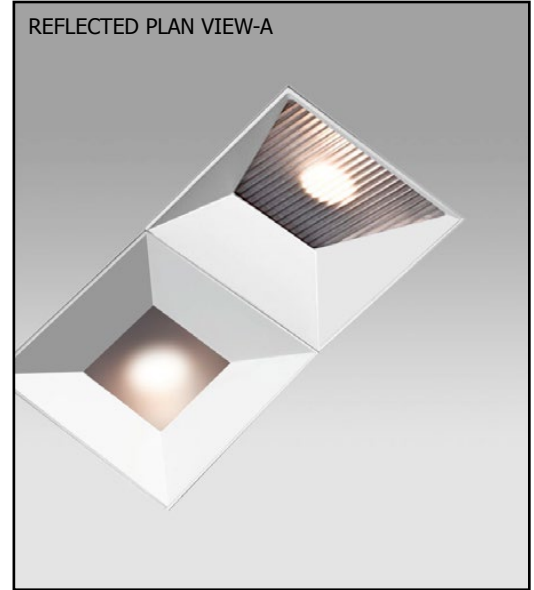
JOB: _____

SPECIFIER: _____

TYPE: _____

QUANTITY: _____

SIGNATURE: _____



LIMITED ADJUSTABILITY

ORDERING INFORMATION

MODEL	PLAN VIEW	TRIM	SOURCE / DRIVER	TRIM FINISH	DOWN / WW APERTURE LENS
1240AW-2LED-AD-PH		ZT	AD14 /		/ 82A
Plaster Housing Ambient Dimming LED *CCT Max 3000K-1900K	AWA = Side WW AWB = Right WW AWC = Left WW	ZT=Zero Trim	AD14= 350ma, 14.5W, 1000lm S1 =0-10V dimming, 1%, 120-277v T1 =TRIAC/ELV 2-wire, 3% 120v (Lead/Trail Edge) E1 =EldoLED 0-10V Logarithmic Dim, 0.1%, 120-277v E2 =EldoLED DALI, 0.1%, 120-277v E3 =EldoLED 0-10V Linear Dim, 0.1%, 120-277v L2 =Ltrn Hi-lume 1% 2-wr LED driver (120v fwd phase) L3 =Lutron Hi-lume 1% 3-wire/EcoSystem, 120-277v LTB =Lutron Hi-lume 1% EcoSys LED driver, 1%, 120-277v, Soft-on, Fade-to-Black	P14 = White BLK=Black PXX = SLI Color WXX = Wood XXXX = RAL # CST = Custom	82A= Frosted Supertex 91A= Solite 92A= Supertex 93A= Frosted 95A= Full Prismatic



Patent Pending.
These specifications subject to change without notice.

www.specialtylightingindustries.com
1306 Doris Avenue, Ocean, NJ 07712 USA
800.462.7812 732.517.0800 FAX:732.517.0971