

Dual lamp, solid state light engine, recessed accent light with nominal 4"x8" rectangular trim, 3"x8"(75mm x 200mm) aperture and optional glass diffuser. Accent and downlighting in medium to high ceiling heights typically found in residential, commercial and retail applications. Suitable for new construction.

SPECIFICATIONS

HOUSING

- Precision die-formed heavy gauge aluminum with adjustable mounting bracket and die-cast ceiling collar

MOUNTING

- Recessed in architectural ceiling

ELECTRICAL

- Integral dimmable electronic driver with internal short circuit protection
- 120v-277v primary, compatible with 0-10v dimmers. Optional 120v phase control

LAMP

- (2) Xicato LEDs supplied with fixture
- Available in 2700 or 4000K color temperature and 80 or 98 CRI

SOCKET

- Precision aluminum yoke with CNC machined lampholder assembly
- **Usocket™** allows easy field replacement of light engine

LENS

- Interchangeable reflector provides multiple beam patterns
- Optional borosilicate lenses available for aperture


TRIM

- Flanged or flangless, one piece die-cast aluminum pyramidal shield
- ST trim fully sealed and gasketed

FINISH

- Black powder paint housing
- Aperture trim available in black and white as standard
- Solid wood, additional colors, RAL palette, custom finishes

LABELS

-  , US tested to UL standards 1598, Damp location, Wet with ST trim

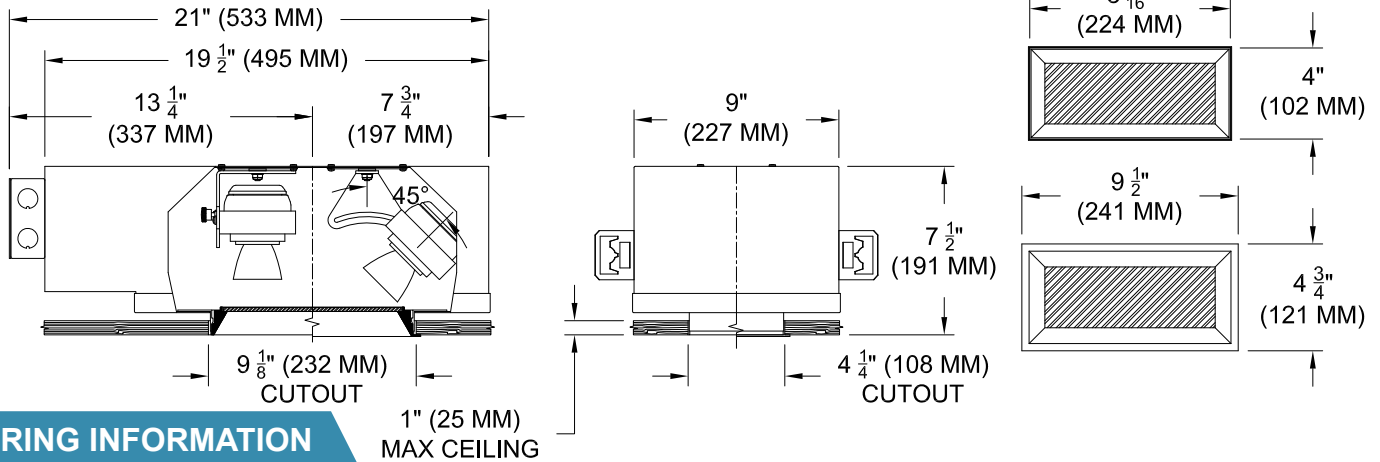
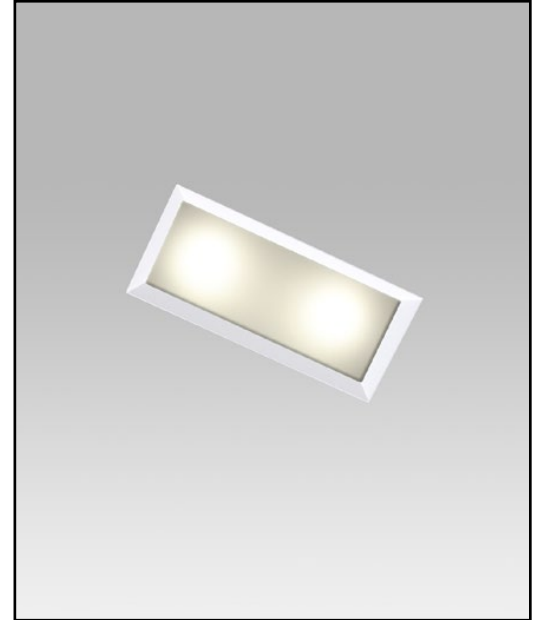
JOB: _____

SPECIFIER: _____

TYPE: _____

QUANTITY: _____

SIGNATURE: _____



ORDERING INFORMATION

| 1017-2LEDX-UH | TRIM | DRIVER | BEAMSPREAD | TRIM FINISH | APERTURE LENS |
|---|---|--|---|---|---|
| Universal Housing 8 = 80CRI 27 = 2700K 9 = 98CRI 30 = 3000K 35 = 3500K 40 = 4000K | FT=Flanged Trim PT=Panel Trim* ST=Shower Trim* ZT=Zero Trim **WXX Only *Aperture lens required | XT8 = 120v-277v, 8W 800lm XT12 = 120v-277v, 12W 1055lm XT17 = 120v-277v, 17W 1400lm XT26 = 120v-277v, 26W 2000lm *Add ELDO for EldoLED 0-10V Dimming *Add DM2 for 2 wire dimming * LT2, LT3, LT5 for Lutron 2 wr, Lutron 3 wr, Lutron 5 wr dimming, LTB for Lutron Fade-to-Black | 20 = 20 Degrees 30 = 30 Degrees 40 = 40 Degrees | P14 = White BLK=Black PXX = SLI Color WXX = Wood XXXX = RAL # CST = Custom | Blank= None 90A = Clear 91A = Solite 92A = Supertex 93A = Frosted |

Driver specs based on 98 CRI. [Click to View 80 CRI driver specs](#)



Patent Pending.
These specifications subject to change without notice.

www.specialtylightingindustries.com
1306 Doris Avenue, Ocean, NJ 07712 USA
800.462.7812 732.517.0800 FAX:732.517.0971