

Multi-lamp, low-voltage halogen, recessed accent light with conical trim 3" (75mm) aperture and optional glass diffuser. Accent and downlighting in low to medium ceiling heights typically found in residential, commercial and retail applications. Suitable for new construction.

SPECIFICATIONS

HOUSING

- Precision die-formed heavy gauge aluminum with machined adjustable ceiling collar

MOUNTING

- Recessed in architectural ceiling

ELECTRICAL

- Integral dimmable electronic or toroidal magnetic transformer
- 120v primary lead, (220v, 240v, 277v available), 11.75v secondary with overload protection
- External thermoprotector

LAMP

- (2) MR-16s 50w max. each or (3) MR-16s 20w max. each, supplied by others

SOCKET

- Precision die formed aluminum yoke with CNC machined lampholder assembly
- G4/G6 ceramic socket with high temperature, teflon coated lead wires

LENS

- Clear pyrex safety lens
- Optional borosilicate lenses available for lampholder and aperture


TRIM

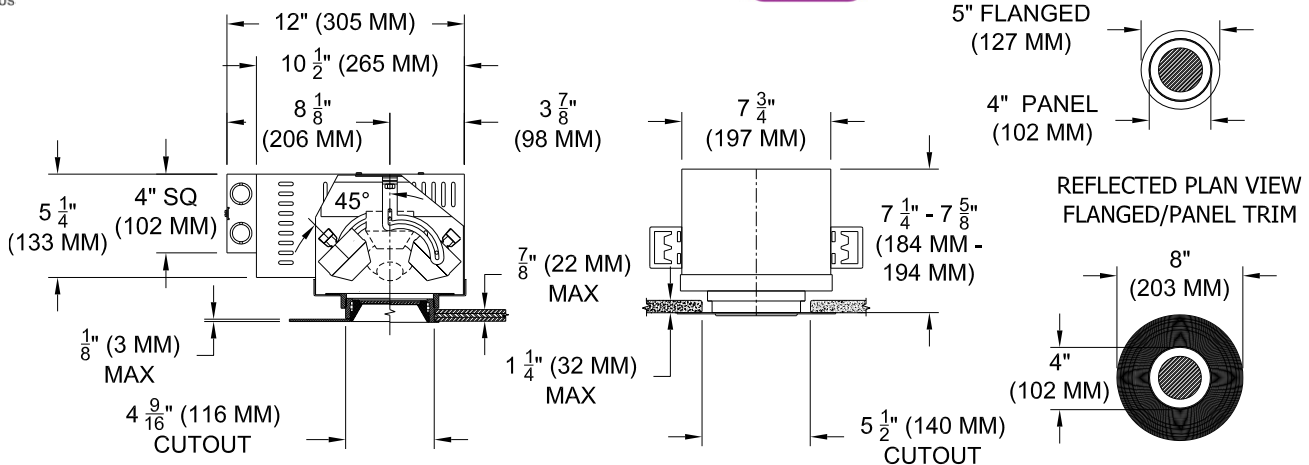
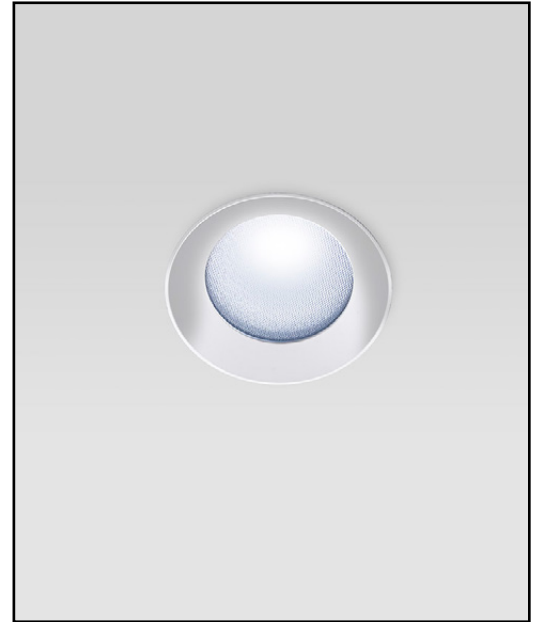
- Flanged or flangeless, one piece die-cast aluminum conical shield
- ST trim fully sealed and gasketed

FINISH

- Black powder paint housing
- Aperture trim available in black and white as standard
- Solid wood, additional colors, RAL palette, custom finishes available

LABELS

- UL  US, US tested to UL standards 1598, Damp location, Wet with ST trim,



ORDERING INFORMATION

1016M-_MR16-UH	TRIM	TRANSFORMER	LENS HOLDER	LAMP LENS	TRIM FINISH	APERTURE LENS
Universal Housing 2MR16=2 lamp 3MR16=3 lamp*	FT=Flanged Trim PT=Panel Trim** ST=Shower Trim* ZT=Zero Trim ***WXX Only *Aperture lens required	TX=Magnetic / 120v EX=Electronic / 220v EXS=Elect. SORAA* RX=Remote / 240v 277v *Standard 120v	CL=Conical FL=Flat IL=Indexed* *92L Only	90L = Clear-Standard 91L = Solite 92L = Supertex 93L = Frosted 97L = Black Hexcell 98L = UV	P14 = White BLK=Black PXX = SLI Color WXX = Wood XXXX = RAL # CST = Custom	Blank= None 91A = Solite 92A = Supertex 93A = Frosted 95A = Full Prismatic



Patent Pending.
These specifications subject to change without notice.

www.specialtylightingindustries.com
1306 Doris Avenue, Ocean, NJ 07712 USA
800.462.7812 732.517.0800 FAX:732.517.0971