

Single lamp, solid state light engine, recessed accent light, nominal 4"(100mm) square trim with 2"(50mm) aperture and optional glass diffuser. Accent and down-lighting in medium to high ceiling heights typically found in residential, commercial and retail applications. Suitable for new or existing construction in sheetrock ceilings.

**JOB:** \_\_\_\_\_  
**SPECIFIER:** \_\_\_\_\_  
**TYPE:** \_\_\_\_\_  
**QUANTITY:** \_\_\_\_\_  
**SIGNATURE:** \_\_\_\_\_

**SPECIFICATIONS**

**HOUSING**

- Precision die-formed heavy gauge aluminum
- ≈ Airtight construction suitable for direct contact with insulation

**MOUNTING**

- Install from below in sheetrock ceiling

**ELECTRICAL**

- Integral dimmable electronic driver with internal short circuit protection

**LAMP**

- AmbientDim™ LED supplied with fixture

**SOCKET**

- Precision die-formed aluminum yoke with CNC machined lampholder assembly

**LENS**

- Interchangeable reflector provides multiple beam patterns
- Optional borosilicate lenses available for aperture


**TRIM**

- Flanged or flangeless, 1 piece die-cast aluminum pyramidal shield

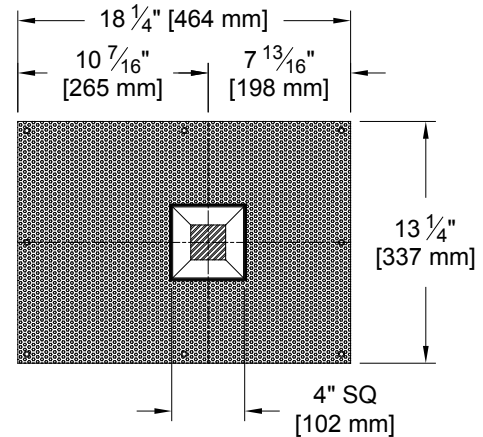
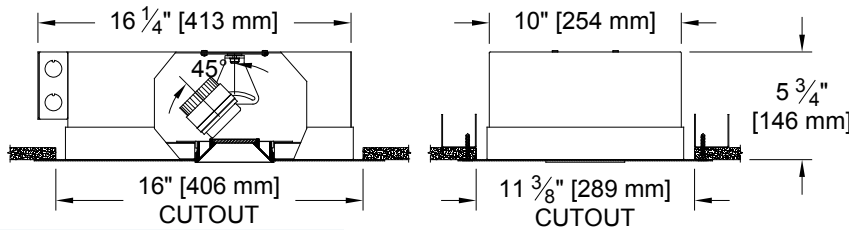
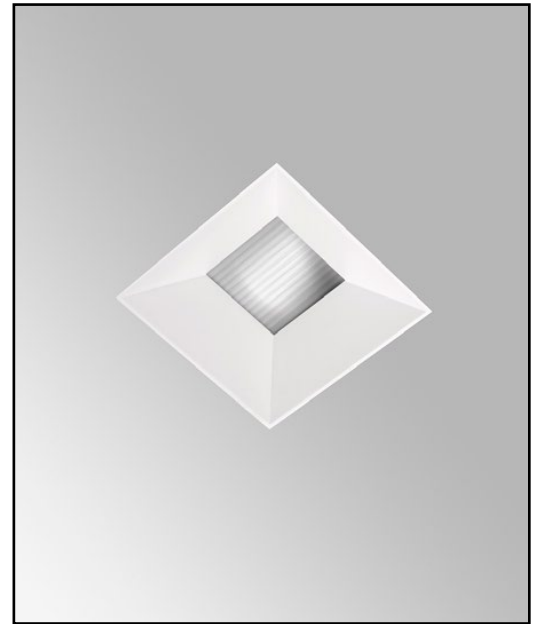
**FINISH**

- Black powder paint housing
- Aperture trim available in black and white as standard
- Solid wood, additional colors, RAL palette, custom finishes available

**LABELS**

-  , US tested to UL standards 1598, Damp location, Wet with ST trim, IC/Airtight, Chicago Plenum

**AmbientDim™**



**ORDERING INFORMATION**

1009-LED-AD-ASPH	TRIM	SOURCE / DRIVER	BEAMSPREAD	TRIM FINISH	APERTURE LENS	ACCESSORIES
		AD14 /				
Airtight Shallow Plaster Housing Ambient Dimming LED  *CCT Max 3000K-1900K	FT=Flanged Trim ST=Shower Trim* ZT=Zero Trim  *Aperture lens required	AD14=350ma, 14.5W, 1000lm  S1 =0-10V dimming, 1%, 120-277v T1 =TRIAC/ELV 2-wire, 3% 120v (Lead/Trail Edge) E1 =EldoLED 0-10V Logarithmic Dim, 0.1%, 120-277v E2 =EldoLED DALI, 0.1%, 120-277v E3 =EldoLED 0-10V Linear Dim, 0.1%, 120-277v L2 =Ltm Hi-lume 1% 2-wr LED driver (120v fwd phase) L3 =Lutron Hi-lume 1% 3-wire/EcoSystem, 120-277v LTB =Lutron Hi-lume 1% EcoSys LED driver, 1%, 120-277v, Soft-on, Fade-to-Black	15 = 15 Degrees 24 = 24 Degrees 36 = 36 Degrees	P14 = White BLK=Black PXX = SLI Color WXX = Wood XXXX = RAL # CST = Custom	Blank= None 90A = Clear 91A = Solite 92A = Supertex 93A = Frosted	CP=Chicago Plenum



Patent Pending.  
 These specifications subject to change without notice.

[www.specialtylightingindustries.com](http://www.specialtylightingindustries.com)  
 1306 Doris Avenue, Ocean, NJ 07712 USA  
 800.462.7812 732.517.0800 FAX:732.517.0971