

Single lamp, solid state light engine, recessed accent light with nominal 4.5" (114mm) square aperture. Accent and downlighting in low to medium ceiling heights typically found in residential, commercial and retail applications. Suitable for new or existing construction in sheetrock ceiling.

**JOB:** \_\_\_\_\_  
**SPECIFIER:** \_\_\_\_\_  
**TYPE:** \_\_\_\_\_  
**QUANTITY:** \_\_\_\_\_  
**SIGNATURE:** \_\_\_\_\_

## SPECIFICATIONS

### HOUSING

- Extruded aluminum with bolt on end plates and integral plaster flange
- ≈ Airtight construction suitable for direct contact with insulation

### MOUNTING

- Install from below into sheetrock ceiling

### ELECTRICAL

- Integral dimmable electronic driver with internal short circuit protection

### LAMP

- Citizen LED supplied with fixture

### SOCKET

- Precision aluminum yoke with CNC machined lampholder assembly

### LENS

- Solite, and Veiling Acrylic available as standard. For more options, consult factory



### TRIM

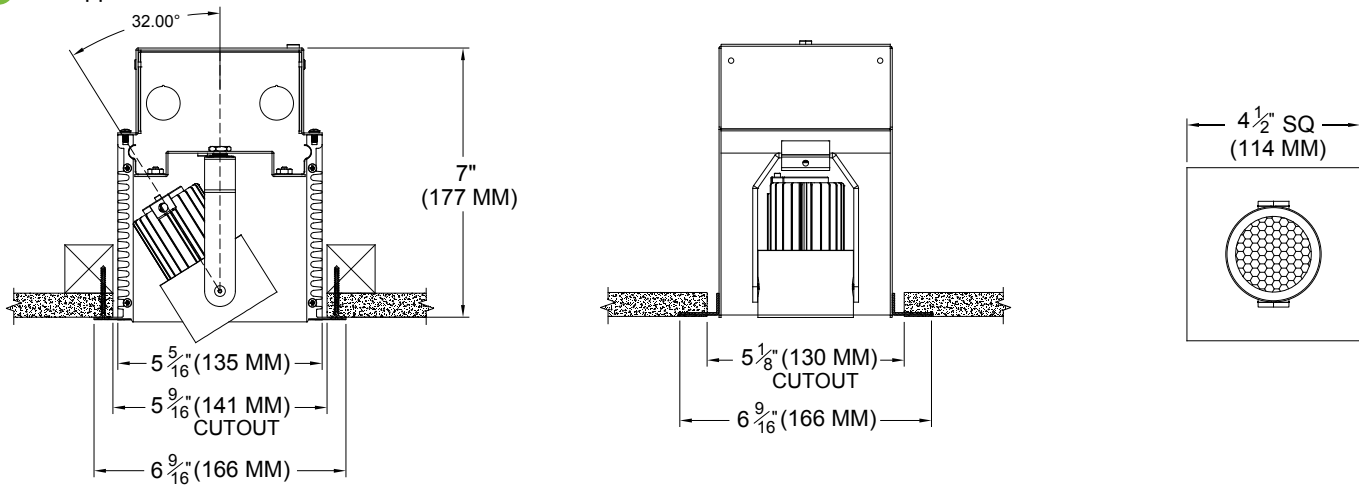
- Flangeless housing

### FINISH

- Powder paint on all surfaces in black and white as standard
- Additional colors and RAL palette available
- Consult factory for custom finishes

### LABELS

-  US, US tested to UL standards 1598, Damp location, IC/Airtight, Chicago Plenum,  JA8 Approved



## ORDERING INFORMATION

1005-LEDZ-APH	SOURCE / DRIVER	BEAMSPREAD	FINISH	LAMP LENS	ACCESSORIES
	<b>CZ14</b> /				/
Airtight Plaster Housing 9 = 90+CRI • 27 = 2700K • 30 = 3000K • 35 = 3500K • 40 = 4000K	<ul style="list-style-type: none"> <li>• <b>CZ14</b>=120-277v, 14W 1450lm</li> <li>• <b>C1</b> =0-10V dimming, 1%, 120-277v</li> <li>• <b>C2</b> =TRIAC/ELV 2-wire, 1% 120v (Lead/Trail Edge)</li> <li>• <b>E1</b> =EldoLED 0-10V Logarithmic Dim, 0.1%, 120-277v</li> <li>• <b>E2</b> =EldoLED DALI, 0.1%, 120-277v</li> <li>• <b>E3</b> =EldoLED 0-10V Linear Dim, 0.1%, 120-277v</li> <li>• <b>L2</b> =Ltrn Hi-lume 1% 2-wr LED driver (120v fwd phase)</li> <li>• <b>LTB</b> =Lutron Hi-lume 1% EcoSys LED driver, 1%, 120-277v, Soft-on, Fade-to-Black</li> </ul>	<b>10</b> = 10 Degrees <b>20</b> = 20 Degrees <b>30</b> = 30 Degrees	<b>P14</b> = White <b>BLK</b> =Black <b>ANA</b> = Clear Aluminum <b>XXXX</b> = RAL# <b>CST</b> = Custom	<b>Blank</b> = None <b>79A</b> =Veiling Acrylic <b>91A</b> = Solite <b>93A</b> = Frosted	<b>97L</b> = Black Hexcell <b>CP</b> =Chicago Plenum

• California Title 24- JA8 Approved