

Single lamp, solid state light engine, recessed accent light with nominal 6" (152mm) square aperture. Accent and downlighting in low to medium ceiling heights typically found in residential, commercial and retail applications. Suitable for new or existing construction in sheetrock ceiling

SPECIFICATIONS

HOUSING

- Extruded aluminum with bolt on end plates and integral plaster flange
- ≈ Airtight construction suitable for direct contact with insulation

MOUNTING

- Install from below into sheetrock ceiling

ELECTRICAL

- Integral dimmable electronic driver with internal short circuit protection

LAMP

- Citizen LED supplied with fixture

SOCKET

- Precision aluminum yoke with CNC machined lampholder assembly

LENS

- Interchangeable reflector provides multiple beam patterns
- Solite, and Veiling Acrylic available as standard. For more options, consult factory



TRIM

- Flangeless housing

FINISH

- Powder paint on all surfaces in black and white as standard
- Additional colors and RAL palette available
- Consult factory for custom finishes

LABELS

-  US, US tested to UL standards 1598, Damp location, IC/Airtight, Chicago Plenum,  JA8 Approved

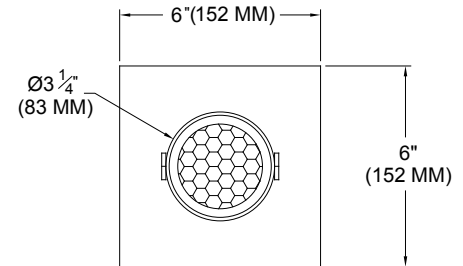
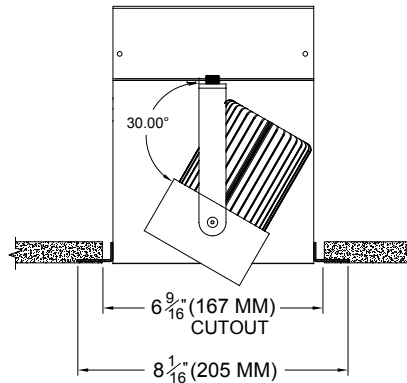
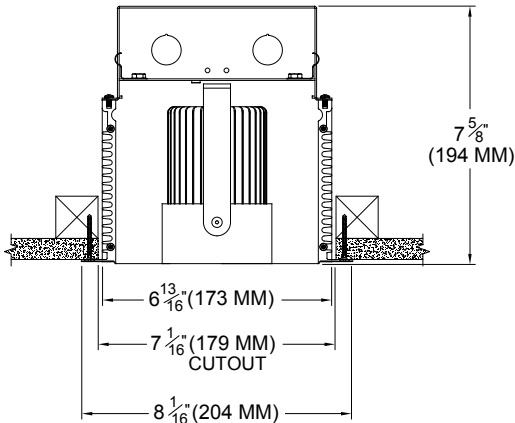
JOB: _____

SPECIFIER: _____

TYPE: _____

QUANTITY: _____

SIGNATURE: _____



ORDERING INFORMATION

1005-LEDZ-APH-VHO	SOURCE / DRIVER	BEAMSPREAD	FINISH	LAMP LENS	ACCESSORIES
	/				/
Airtight Plaster Housing 9 = 90+CRI • 27 = 2700K • 30 = 3000K 35 = 3500K 40 = 4000K	<ul style="list-style-type: none"> • CZ14= 120-277v, 14W 1450lm • CZ20= 120-277v, 20W 2000lm • CZ28*= 120-277v, 28W 2675lm • C1 =0-10V dimming, 1%, 120-277v • C2 =TRIAC/ELV 2-wire, 1% 120v (Lead/Trail Edge) • E1 =EldoLED 0-10V Logarithmic Dim, 0.1%, 120-277v • E2 =EldoLED DALI, 0.1%, 120-277v • E3 =EldoLED 0-10V Linear Dim, 0.1%, 120-277v • L2 =Ltrn Hi-lume 1% 2-wr LED driver (120v fwd phase) • LTB =Lutron Hi-lume 1% EcoSys LED driver, 1%, 120-277v, Soft-on, Fade-to-Black 	10 = 10 Degrees 20 = 20 Degrees 30 = 30 Degrees	P14 = White BLK=Black ANA = Clear Aluminum XXXX = RAL# CST = Custom	Blank = None 79A=Veiling Acrylic 91A = Solite 93A = Frosted	97L = Black Hexcell CP=Chicago Plenum

• California Title 24- JA8 Approved *Contact Factory to request separate cutsheet