

Triple lamp, solid state light engine, recessed, flanged open slot accent light with nominal 6" x 18" rectangular aperture. Accent and downlighting in low to medium ceiling heights typically found in residential, commercial and retail applications. Suitable for new construction. Can be used in surfaces such as wood, stone, etc.

## SPECIFICATIONS

### HOUSING

- Extruded aluminum with bolt on end plates and integral flange

### MOUNTING

- Recessed in architectural ceiling

### ELECTRICAL

- Integral dimmable electronic driver with internal short circuit protection

### LAMP

- (3) Citizen LEDs supplied with fixture

### SOCKET

- Precision aluminum yoke with CNC machined lampholder assembly

### LENS

- Interchangeable reflector provides multiple beam patterns
- Solite, Veiling Acrylic available as standard. For more options, consult factory


### TRIM

- Flanged housing

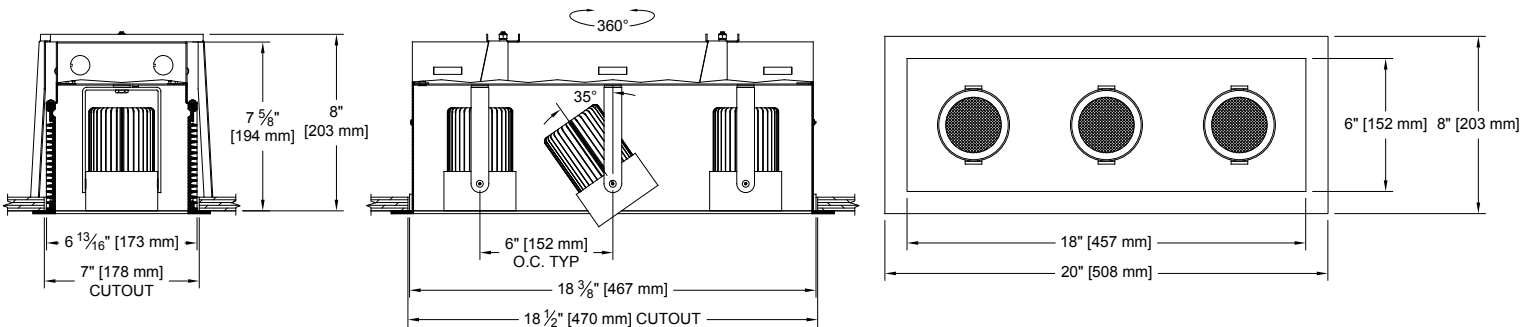
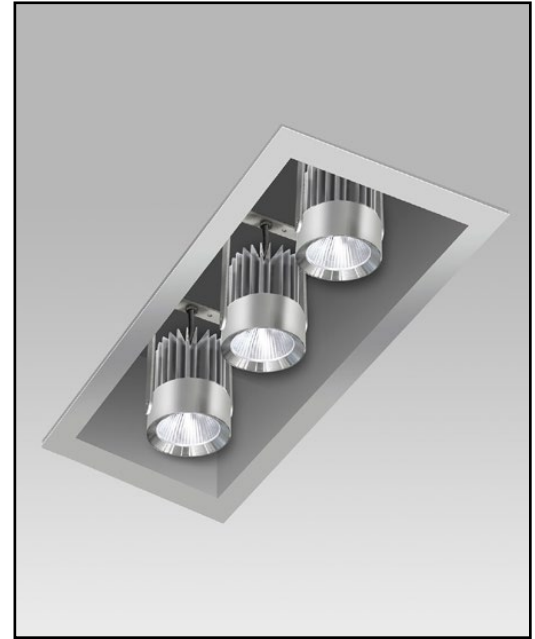
### FINISH

- Powder paint on all surfaces in black and white as standard
- Additional colors and RAL palette available
- Consult factory for custom finishes

### LABELS

-  US, US tested to UL standards 1598, Damp location

JOB: \_\_\_\_\_  
 SPECIFIER: \_\_\_\_\_  
 TYPE: \_\_\_\_\_  
 QUANTITY: \_\_\_\_\_  
 SIGNATURE: \_\_\_\_\_



## ORDERING INFORMATION

1005-3LEDZ-FH-VHO	SOURCE / DRIVER	BEAMSPREAD	TRIM / FINISH	LAMP LENS	ACCESSORIES
	/		/		
Flanged Housing <b>9</b> = 90+CRI <b>27</b> = 2700K <b>30</b> = 3000K <b>35</b> = 3500K <b>40</b> = 4000K	<b>CZ14</b> =120-277v, 14W 1450lm <b>CZ20</b> =120-277v, 20W 2000lm <b>CZ28*</b> =120-277v, 28W 2675lm  <b>C1</b> =0-10V dimming, 1%, 120-277v <b>C2</b> =TRIAC/ELV 2-wire, 1% 120v (Lead/Trail Edge) <b>E1</b> =EldoLED 0-10V Logarithmic Dim, 0.1%, 120-277v <b>E2</b> =EldoLED DALI, 0.1%, 120-277v <b>E3</b> =EldoLED 0-10V Linear Dim, 0.1%, 120-277v <b>L2</b> =Ltrn Hi-lume 1% 2-wire LED driver (120v forward phase) <b>LTB</b> =Lutron Hi-lume 1% EcoSys LED driver, 1%, 120-277v, Soft-on, Fade-to-Black	<b>10</b> = 10 Degrees <b>20</b> = 20 Degrees <b>30</b> = 30 Degrees	<b>P14</b> = White <b>BLK</b> =Black <b>ANA</b> = Clear Aluminum <b>CST</b> = Custom	<b>Blank</b> = None <b>79A</b> =Veiling Acrylic <b>91A</b> = Solite <b>93A</b> = Frosted	<b>97L</b> = Black Hexcell

\*Contact Factory to request separate cutsheet