

Triple lamp, solid state light engine, recessed, open slot accent light with nominal 6" x 18" (152mmx457mm) rectangular aperture. Accent and downlighting in low to medium ceiling heights typically found in residential, commercial and retail applications. Suitable for new or existing construction in sheetrock ceilings

SPECIFICATIONS

HOUSING

- Extruded aluminum with bolt on end plates and integral plaster flange
- ≈ Airtight construction suitable for direct contact with insulation

MOUNTING

- Install from below in sheetrock ceiling

ELECTRICAL

- Integral dimmable electronic driver with internal short circuit protection

LAMP

- (3) Citizen LEDs supplied with fixture

SOCKET

- Precision aluminum yoke with CNC machined lampholder assembly

LENS

- Interchangeable reflector provides multiple beam patterns
- Solite, Veiling Acrylic available as standard. For more options, consult factory



TRIM

- Flangeless housing

FINISH

- Powder paint on all surfaces in black and white as standard
- Additional colors and RAL palette available
- Consult factory for custom finishes

LABELS

-  US, US tested to UL standards 1598, Damp location, IC/Airtight, Chicago Plenum,  JA8 Approved

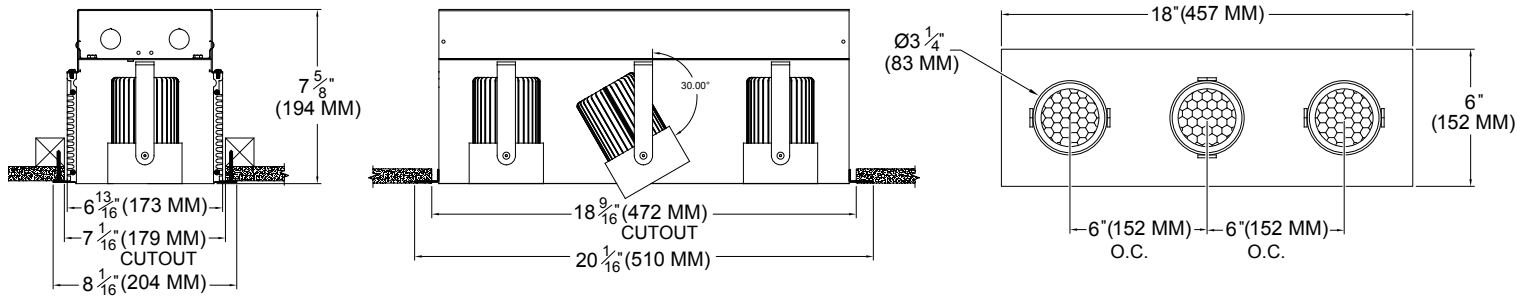
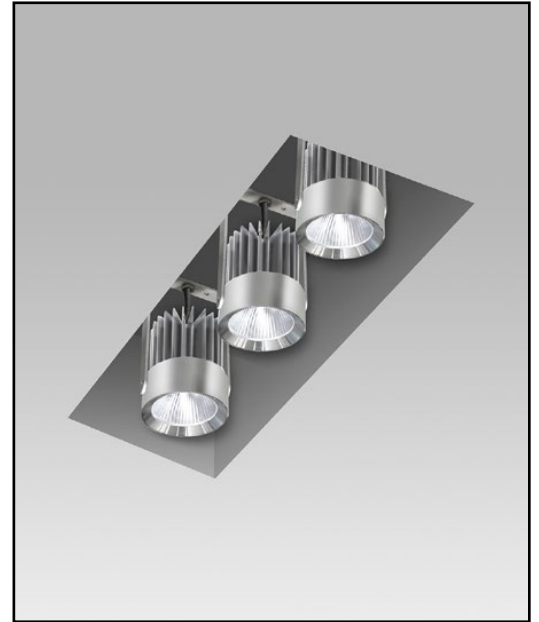
JOB: _____

SPECIFIER: _____

TYPE: _____

QUANTITY: _____

SIGNATURE: _____



ORDERING INFORMATION

1005-LEDZ-APH-VHO	SOURCE / DRIVER	BEAMSPREAD	FINISH	LAMP LENS	ACCESSORIES
	/				/
Airtight Plaster Housing 9 = 90+CRI • 27 = 2700K • 30 = 3000K 35 = 3500K 40 = 4000K	<ul style="list-style-type: none"> • CZ14=120-277v, 14W 1450lm • CZ20=120-277v, 20W 2000lm • CZ28*=120-277v, 28W 2675lm • C1 =0-10V dimming, 1%, 120-277v • C2 =TRIAC/ELV 2-wire, 1% 120v (Lead/Trail Edge) • E1 =EldoLED 0-10V Logarithmic Dim, 0.1%, 120-277v • E2 =EldoLED DALI, 0.1%, 120-277v • E3 =EldoLED 0-10V Linear Dim, 0.1%, 120-277v • L2 =Ltrn Hi-lume 1% 2-wr LED driver (120v fwd phase) • LTB =Lutron Hi-lume 1% EcoSys LED driver, 1%, 120-277v, Soft-on, Fade-to-Black 	10 = 10 Degrees 20 = 20 Degrees 30 = 30 Degrees	P14 = White BLK=Black ANA = Clear Aluminum XXXX = RAL# CST = Custom	Blank = None 79A=Veiling Acrylic 91A = Solite 93A = Frosted	97L = Black Hexcell CP=Chicago Plenum

• California Title 24- JA8 Approved *Contact Factory to request separate cutsheet



www.specialtylightingindustries.com
 1306 Doris Avenue, Ocean, NJ 07712 USA
 800.462.7812 732.517.0800 FAX:732.517.0971

Patent Pending. These specifications subject to change without notice.