

Triple lamp, solid state light engine, recessed, open slot accent light with nominal 4.5" x 13.5" rectangular aperture. Accent and downlighting in low to medium ceiling heights typically found in residential, commercial and retail applications. Suitable for new or existing in sheetrock construction. AmbientDim™ provides Superior CRI at all dimming levels.

**SPECIFICATIONS**

**HOUSING**

- Extruded aluminum with bolt on end plates and integral plaster flange

**MOUNTING**

- Install from below into sheetrock ceiling

**ELECTRICAL**

- Integral dimmable electronic driver with internal short circuit protection

**LAMP**

- (3) AmbientDim™ LEDs supplied with fixture

**SOCKET**

- Precision aluminum yoke with CNC machined lampholder assembly

**LENS**

- Solite, Veiling Acrylic available as standard. For more options, consult factory

**TRIM**

- Flangeless housing

**FINISH**

- Powder paint on all surfaces in black and white as standard
- Additional colors and RAL palette available
- Consult factory for custom finishes

**LABELS**

-  , US tested to UL standards 1598, Damp location

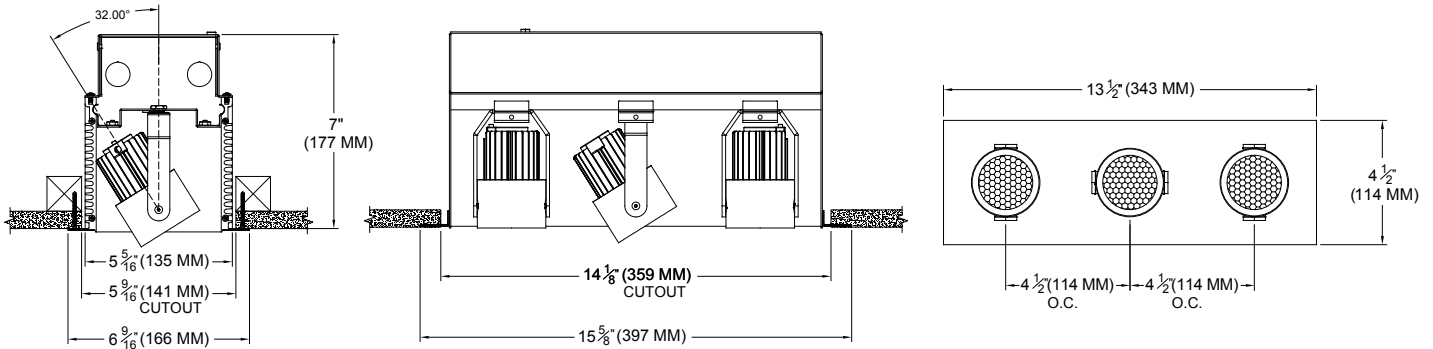
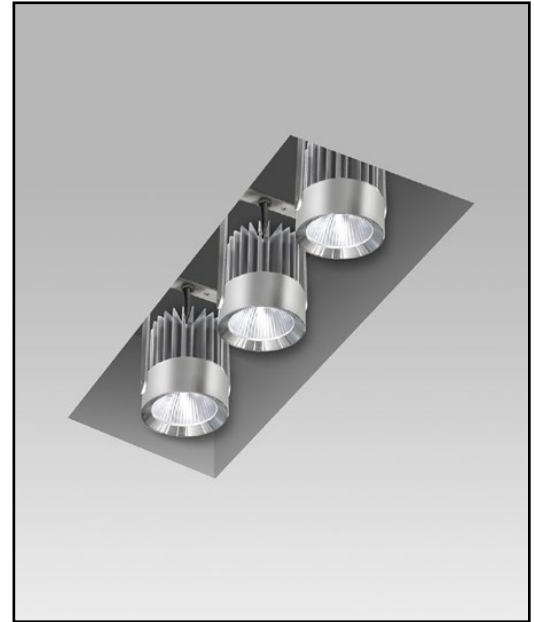
**JOB:** \_\_\_\_\_

**SPECIFIER:** \_\_\_\_\_

**TYPE:** \_\_\_\_\_

**QUANTITY:** \_\_\_\_\_

**SIGNATURE:** \_\_\_\_\_



**ORDERING INFORMATION**

1005-3LED-AD-PH	SOURCE / DRIVER	BEAMSPREAD	FINISH	LAMP LENS	ACCESSORIES
	AD14 /				
Plaster Housing Ambient Dimming LED  *CCT Max 3000K-1900K	AD14=350ma, 14.5W, 1000lm  C1 =0-10V dimming, 1%, 120-277v C2 =TRIAC/ELV 2-wire, 1% 120v (Lead/Trail Edge) E1 =EldoLED 0-10V Logarithmic Dim, 0.1%, 120-277v E2 =EldoLED DALI, 0.1%, 120-277v E3 =EldoLED 0-10V Linear Dim, 0.1%, 120-277v L2 =Ltm Hi-lume 1% 2-wr LED driver (120v fwd phase) LTB =Lutron Hi-lume 1% EcoSys LED driver, 1%, 120-277v, Soft-on, Fade-to-Black	15 = 15 Degrees 24 = 24 Degrees 38 = 38 Degrees	P14 = White BLK=Black ANA = Clear Aluminum XXXX = RAL# CST = Custom	Blank= None 79A= Veiling Acrylic 91A = Solite 93A = Frosted	97L= Black Hexcell

