

Dual lamp, solid state light engine, recessed, flanged open slot accent light with nominal 6" x 12" rectangular aperture. Accent and downlighting typically found in residential, commercial and retail applications. Suitable for new construction. Can be used in surfaces such as wood, stone, etc.

SPECIFICATIONS

HOUSING

- Extruded aluminum with bolt on end plates and integral flange

MOUNTING

- Recessed in architectural ceiling

ELECTRICAL

- Integral dimmable electronic driver with internal short circuit protection

LAMP

- (2) Citizen LEDs supplied with fixture

SOCKET

- Precision aluminum yoke with CNC machined lampholder assembly

LENS

- Interchangeable reflector provides multiple beam patterns
- Solite, Veiling Acrylic available as standard. For more options, consult factory


TRIM

- Flanged housing

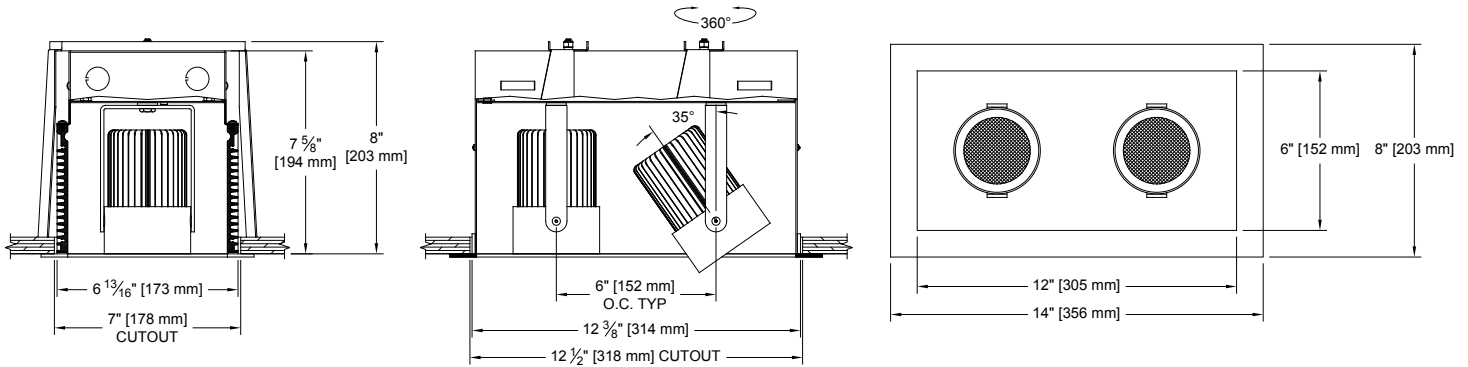
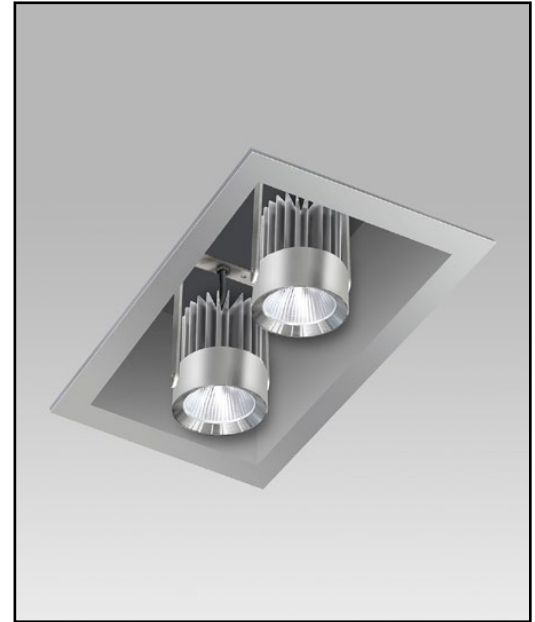
FINISH

- Powder paint on all surfaces in black and white as standard
- Additional colors and RAL palette available
- Consult factory for custom finishes

LABELS

-  , US tested to UL standards 1598, Damp location

JOB: _____
 SPECIFIER: _____
 TYPE: _____
 QUANTITY: _____
 SIGNATURE: _____



ORDERING INFORMATION

1005-2LEDZ-FH-VHO	SOURCE / DRIVER	BEAMSPREAD	TRIM / FINISH	LAMP LENS	ACCESSORIES
	/		/		
Flanged Housing 9 = 90+CRI 27 = 2700K 30 = 3000K 35 = 3500K 40 = 4000K	CZ14 =120-277v, 14W 1450lm CZ20 =120-277v, 20W 2000lm CZ28* =120-277v, 28W 2675lm C1 =0-10V dimming, 1%, 120-277v C2 =TRIAC/ELV 2-wire, 1% 120v (Lead/Trail Edge) E1 =EldoLED 0-10V Logarithmic Dim, 0.1%, 120-277v E2 =EldoLED DALI, 0.1%, 120-277v E3 =EldoLED 0-10V Linear Dim, 0.1%, 120-277v L2 =Lutron Hi-lume 1% 2-wire LED driver (120v forward phase) LTB =Lutron Hi-lume 1% EcoSys LED driver, 1%, 120-277v, Soft-on, Fade-to-Black	10 = 10 Degrees 20 = 20 Degrees 30 = 30 Degrees	P14 = White BLK =Black ANA = Clear Aluminum CST = Custom	Blank = None 79A =Veiling Acrylic 91A = Solite 93A = Frosted	97L = Black Hexcell

*Contact Factory to request separate cutsheet