

Single lamp, metal halide, recessed accent light, nominal 4" (100mm) diameter conical trim with 2" (50mm) aperture and optional glass diffuser.

TYPE: _____

JOB: _____

SPECIFIER: _____

SPECIFICATIONS

HOUSING - Precision die-formed heavy gauge aluminum with machined adjustable ceiling collar.

MOUNTING - Recessed in architectural ceiling.

ELECTRICAL - Integral electronic ballast. 120v primary lead, (220v, 240v, 277v available). External thermoprotector.

LAMP - GE MR-16 CMH 39w max. supplied by others.

LABELS - CSA-C,US, Damp Location, Wet with ST trim

SOCKET - Precision die formed aluminum yoke with CNC machined lampholder assembly. GX10 ceramic socket with high temperature, silicone coated lead wires.

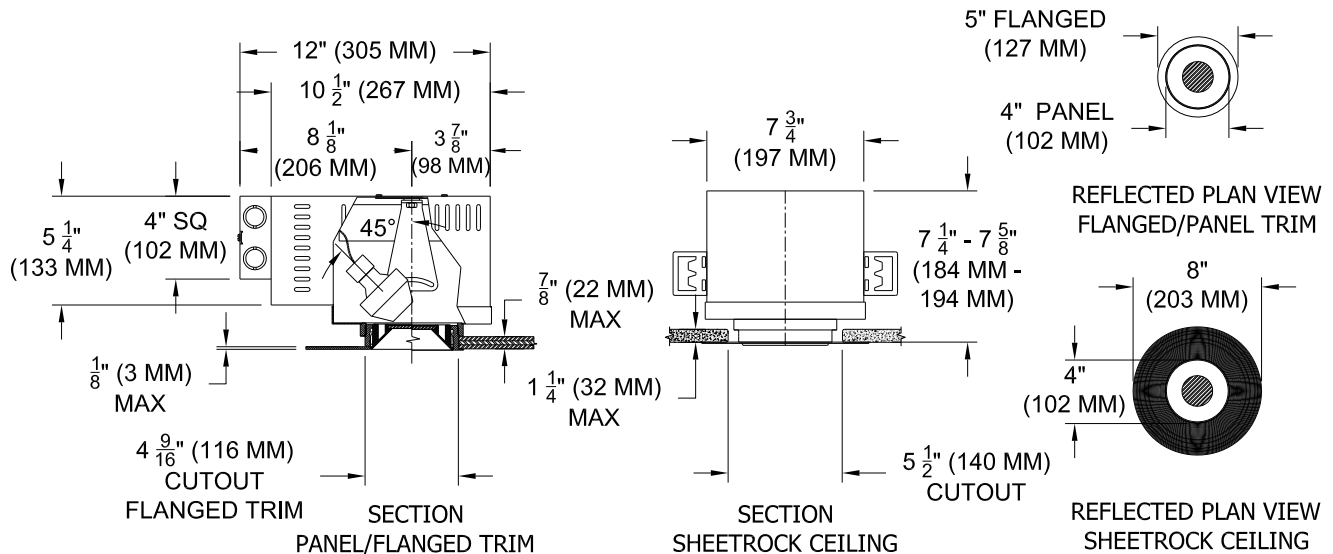
LENS - Clear pyrex safety lens. Optional borosilicate lenses available for lampholder and aperture.

TRIM - Flanged CNC machined plate with pinhole aperture. ST trim fully sealed and gasketed.

FINISH - Black powder paint housing. Aperture trim available in black and white as standard. Additional colors and RAL palette available. Consult factory for custom finishes.

APPLICATIONS

Accent and downlighting in low to medium ceiling heights typically found in residential, commercial and retail applications. Suitable for new construction.



ORDERING INFORMATION

HOUSING	TRIM	BALLAST	LENS HOLDER	LAMP LENS	TRIM FINISH	APERTURE LENS
1001-MR16MH-UH		/				
Universal Housing	FT = Flanged Trim ST = Shower Trim	20 = 20 watt 39 = 39 watt	CL= Conical FL = Flat IL = Indexed	91L = Solite 92L = Supertex 93L = Sandblasted 94L = Clear 95L = Full Prismatic	P14 = White PXX = SLI Color WXX = Wood XXXX = RAL # CST = Custom	91A = Solite 92A = Supertex 93A = Sandblasted 94A = Clear 95A = Full Prismatic



SPECIALTY LIGHTING INDUSTRIES, INC.

NOTE: These specifications subject to change without notice.

www.specialtylightingindustries.com

1306 DORIS AVENUE, OCEAN, NJ 07712 USA 800.462.7812 732.517.0800 FAX 732.517.0971