

Single lamp, low-voltage halogen, recessed accent light, nominal 4" (100mm) diameter flat trim with 2" (50mm) aperture and optional glass diffuser. Accent and downlighting in low to medium ceiling heights typically found in residential, commercial and retail applications. Suitable for new construction.

**JOB:** \_\_\_\_\_  
**SPECIFIER:** \_\_\_\_\_  
**TYPE:** \_\_\_\_\_  
**QUANTITY:** \_\_\_\_\_  
**SIGNATURE:** \_\_\_\_\_

## SPECIFICATIONS

### HOUSING

- Precision die-formed heavy gauge aluminum with machined adjustable ceiling collar

### MOUNTING

- Recessed in architectural ceiling

### ELECTRICAL

- Integral dimmable electronic or toroidal magnetic transformer
- 120v primary lead, (220v, 240v, 277v available), 11.75v secondary with overload protection
- External thermoprotector

### LAMP

- MR-16, 50w max. supplied by others

### SOCKET

- Precision die-formed aluminum yoke with CNC machined lampholder assembly
- G4/G6 ceramic socket with high temperature, teflon coated lead wires

### LENS

- Clear pyrex safety lens
- Optional borosilicate lenses available for lampholder and aperture


### TRIM

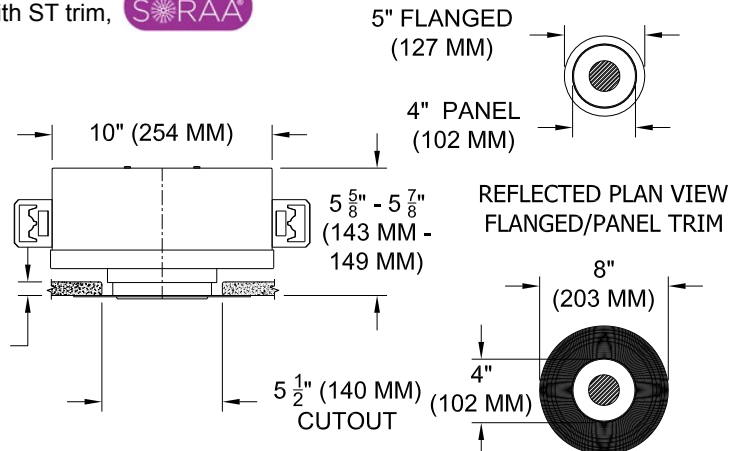
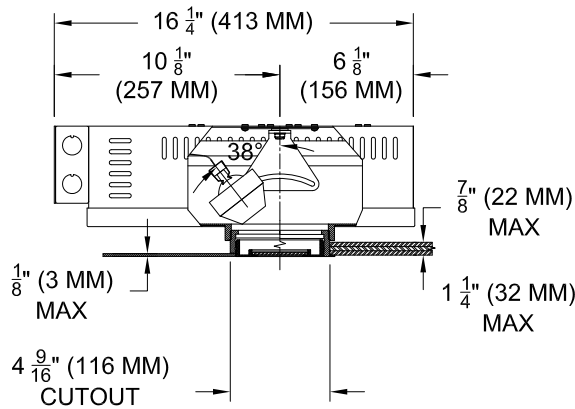
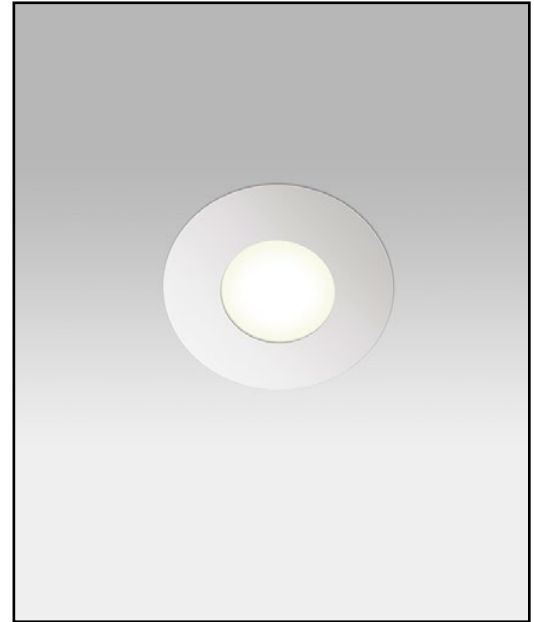
- Flanged or flangeless, one piece die-cast aluminum plate with pinhole aperture
- ST trim fully sealed and gasketed

### FINISH

- Black powder paint housing
- Aperture trim available in black and white as standard
- Solid wood, additional colors, RAL palette, custom finishes available

### LABELS

-  US, US tested to UL standards 1598, Damp location, Wet with ST trim,



## ORDERING INFORMATION

MODEL	TRIM	TRANSFORMER	LENS HOLDER	LAMP LENS	FINISH	APERTURE LENS
1000-MR16-SUH						
Shallow Universal Housing	<b>FT</b> =Flanged Trim <b>PT</b> =Panel Trim** <b>ST</b> =Shower Trim* <b>ZT</b> =Zero Trim **WXX Only *Aperture lens required	<b>TX</b> =Magnetic / 120v <b>EX</b> =Electronic / 220v <b>EXS</b> =Elect. SORAA* <b>RX</b> =Remote / 240v 277v *Standard 120v	<b>CL</b> =Conical <b>FL</b> =Flat <b>IL</b> =Indexed* *92L Only	<b>90L</b> = Clear-Standard <b>91L</b> = Solite <b>92L</b> = Supertex <b>93L</b> = Frosted <b>97L</b> = Black Hexcell <b>98L</b> = UV	<b>P14</b> = White <b>BLK</b> =Black <b>PXX</b> = SLI Color <b>WXX</b> = Wood <b>XXXX</b> = RAL # <b>CST</b> = Custom	<b>Blank</b> = None <b>91A</b> = Solite <b>92A</b> = Supertex <b>93A</b> = Frosted <b>95A</b> = Full Prismatic



Patent Pending.  
 These specifications subject to change without notice.

**www.specialtylightingindustries.com**  
 1306 Doris Avenue, Ocean, NJ 07712 USA  
 800.462.7812 732.517.0800 FAX:732.517.0971