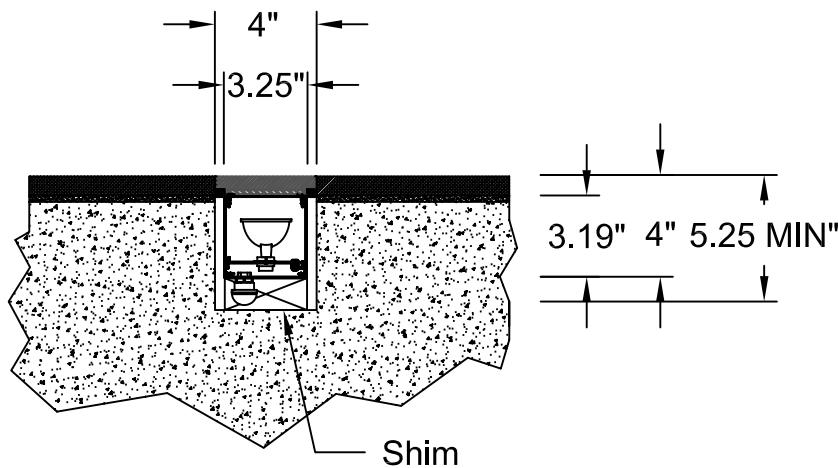
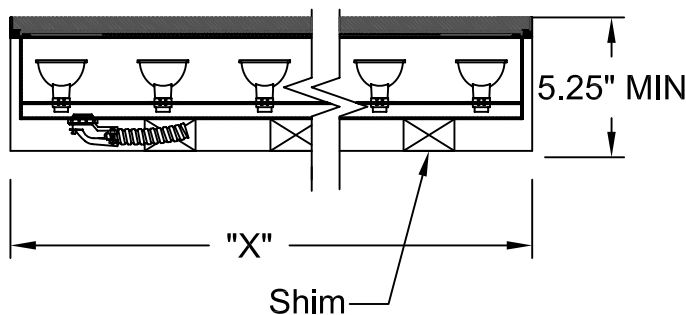


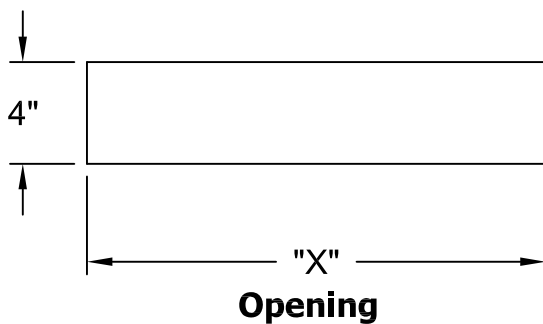
#802UP INSTALLATION



- 1.** Block opening in floor. Width is 4", length is the length of the fixture ("X"), depth is 5.25" minimum.
- 2.** Feed leads through greenfield and secure greenfield to connector. For minimum recessing depth replace the supplied greenfield connector with a right angle connector.
- 3.** Make low-voltage connection at transformer. Attach each pair of like colored leads to a separate secondary circuit.



- 4.** Provide support and shim fixture as required. Mount fixture with screws directly to support.
- 5.** Install lamps, test with power, install lenses.



SPECIALTY LIGHTING

INDUSTRIES, INC. © 2004

1306 DORIS AVENUE, OCEAN, NJ 07712 USA

800.462.7812

www.specialtylightingindustries.com

732.517.0800 FAX 732.517.0971

These specifications subject to change without notice.