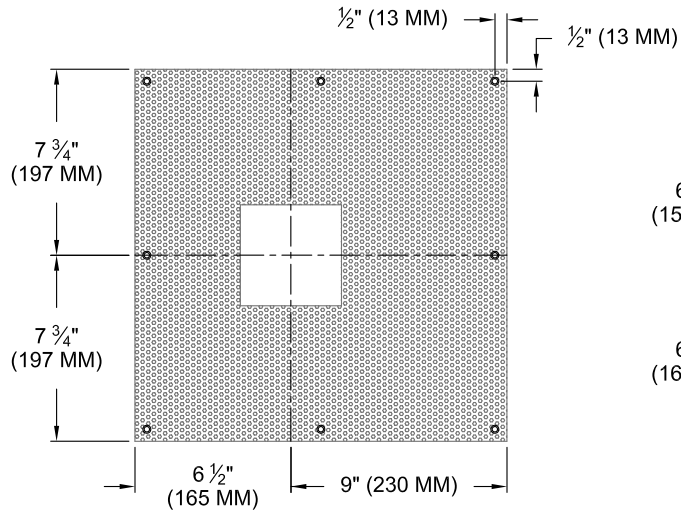
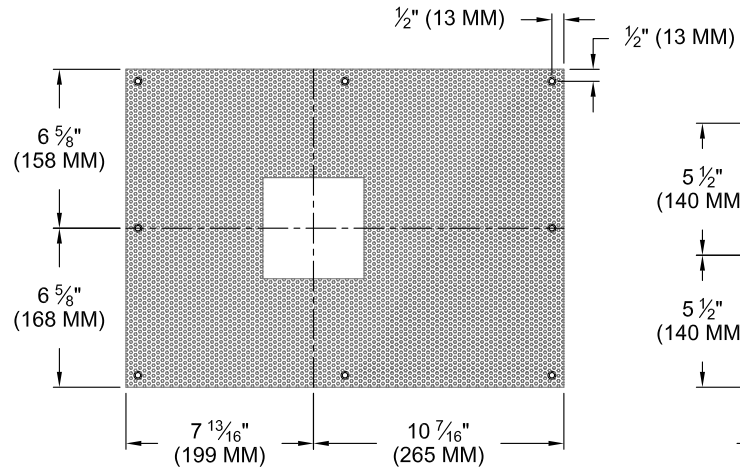


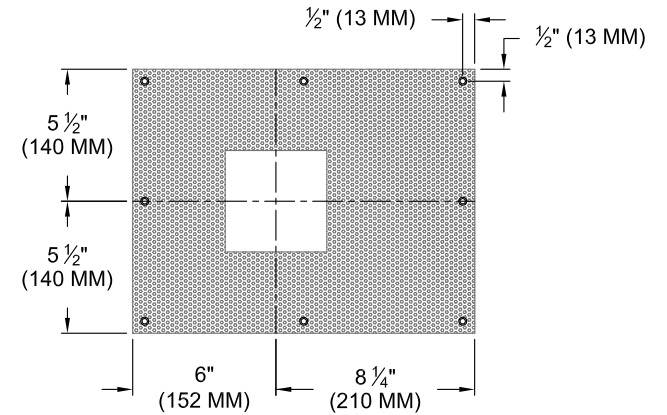
APERTURE CENTERLINE 1 LIGHT MR16 HOUSING



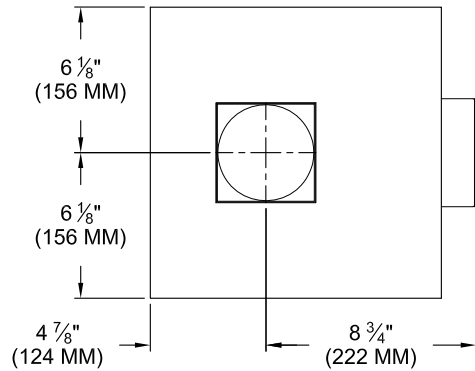
APH



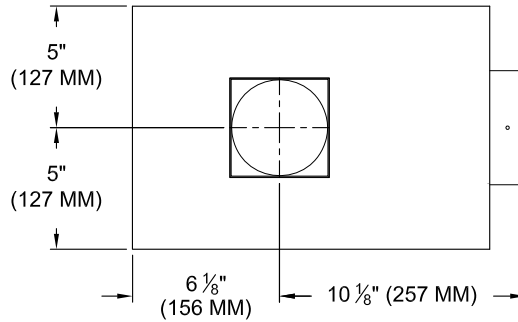
SPH



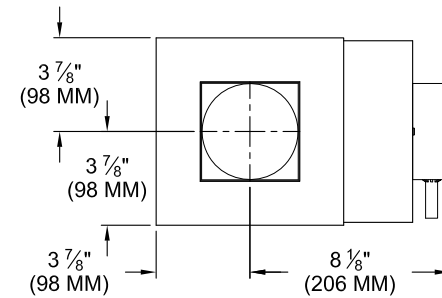
PH



**AUH
(AWH)**



**SUH
(SWH)**



**UH
(WH)**



**SPECIALTY LIGHTING
INDUSTRIES, INC.**

1306 DORIS AVENUE, OCEAN, NJ 07712 USA

www.specialtylightingindustries.com

800.462.7812 732.517.0800 FAX 732.517.0971