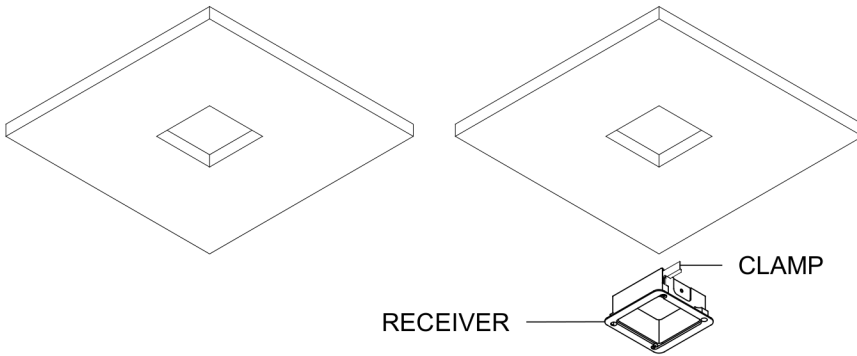
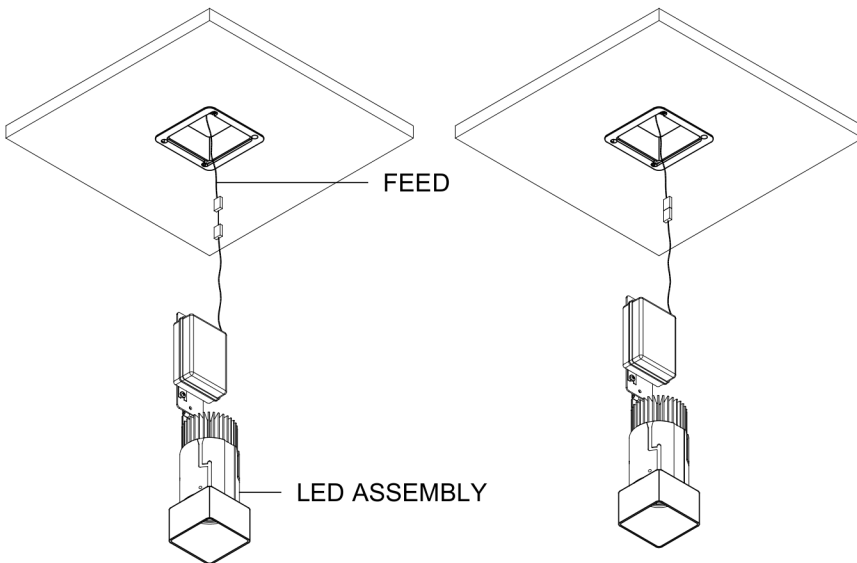


# 4509-ZH-FT INSTALLTION

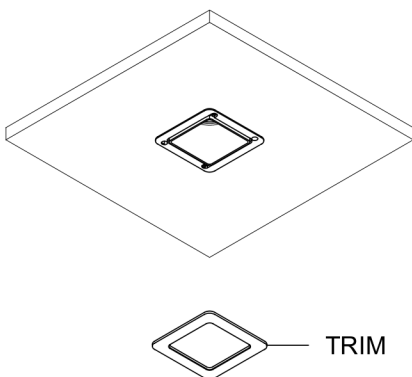


**FIG 1**

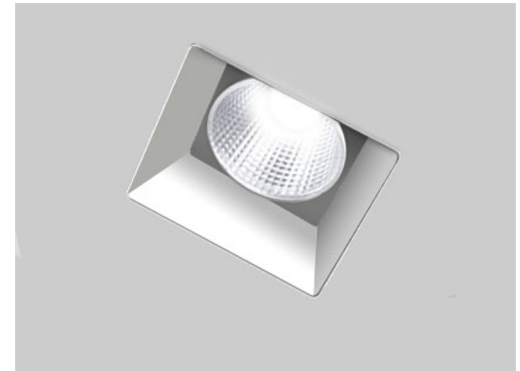


**FIG 2**

**FIG 3**



**FIG 4**



- 1.** Prepare cutout in ceiling.\*
- 2.** Install flanged receiver as shown by tightening screws to clamp receiver to ceiling. (FIG 1)
- 3.** Make power connection to LED assembly. (FIG 2)
- 4.** Install LED assembly into receiver as shown. Ensuring ball plungers are fully engaged into receiver. (FIG 3)
- 5.** Install trim over flanged receiver as shown. (FIG 4)
- 6.** Test fixture with power to ensure proper operation.

IT IS RECOMMENDED THAT THIS INSTALLATION IS PERFORMED BY A QUALIFIED ELECTRICIAN.

\*CUTOUT SPECIFIED ON SUBMITTAL