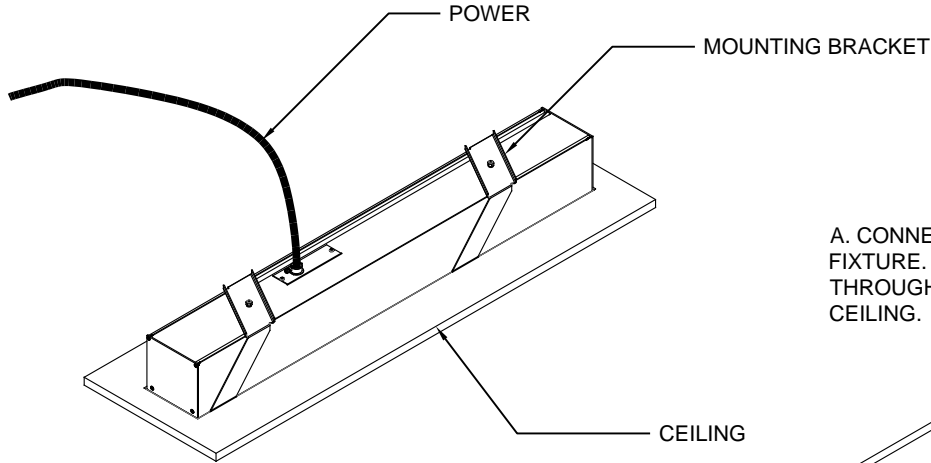
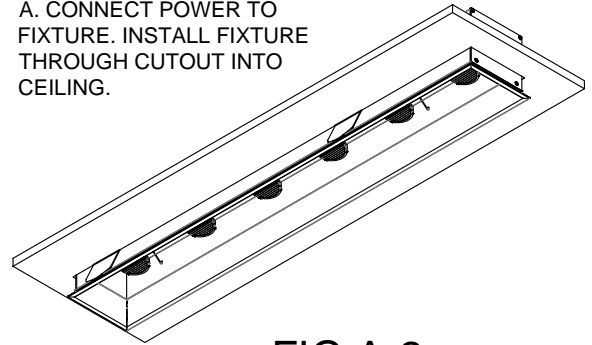


# 415 INSTALL INSTRUCTION



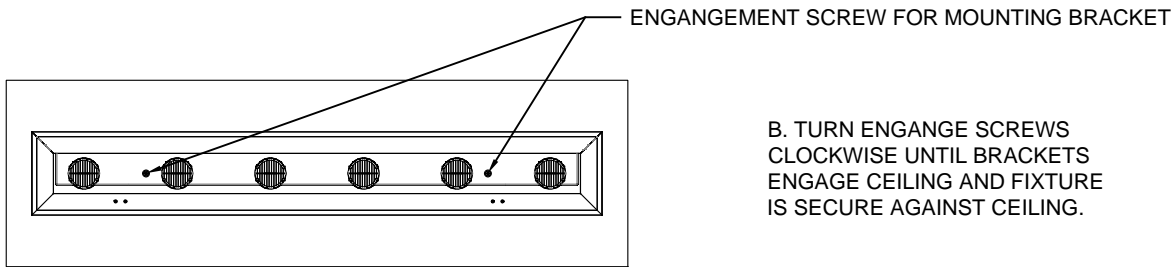
**FIG A-1**

A. CONNECT POWER TO FIXTURE. INSTALL FIXTURE THROUGH CUTOUT INTO CEILING.



**FIG A-2**

\*\*CEILING MUST BE ABLE TO SUPPORT FIXTURE. ESTIMATED 5-8lb PER FOOT\*\*

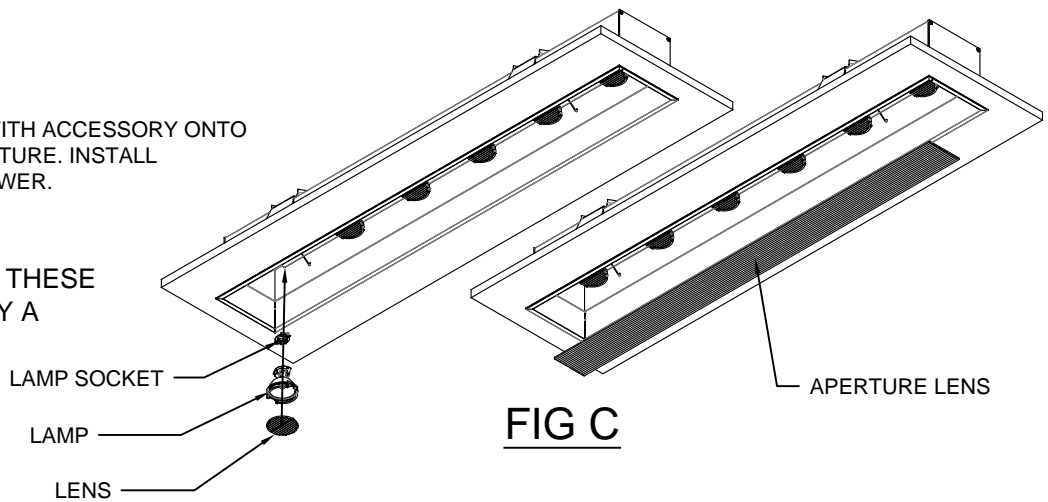


**FIG B**

B. TURN ENGANGE SCREWS CLOCKWISE UNTIL BRACKETS ENGAGE CEILING AND FIXTURE IS SECURE AGAINST CEILING.

C. INSTALL ACCESSORY CLIPS WITH ACCESSORY ONTO LAMPS. INSTALL LAMPS INTO FIXTURE. INSTALL APERTURE LENS. TEST WITH POWER.

\*\*IT IS RECOMMENDED THAT THESE PRODUCTS ARE INSTALED BY A QUALIFIED ELECTRICIAN\*\*



**FIG C**

