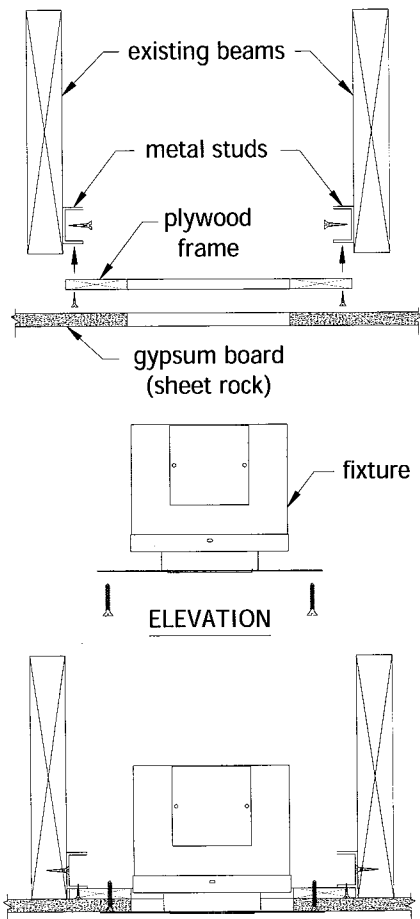


# PLASTER CEILING INSTALLATION

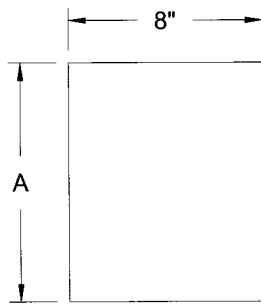
## METHOD ONE

1. Fasten metal studs to existing beams.
2. Fasten plywood frame to metal studs.
3. Install gypsum ceiling.
3. Insert fixture through opening in ceiling and fasten through gypsum to plywood frame.



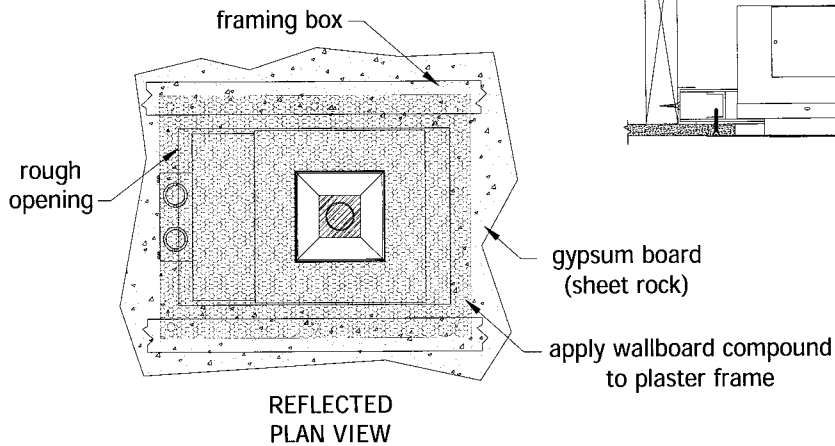
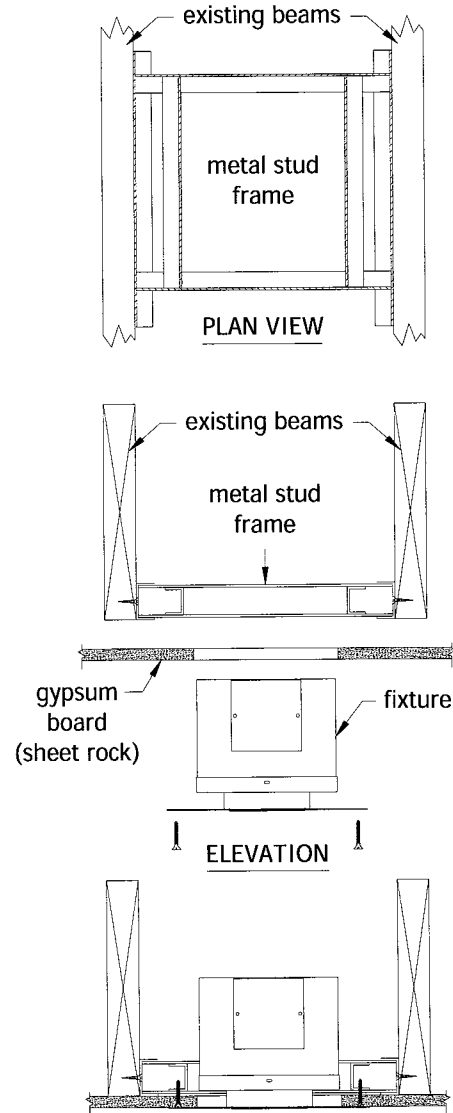
### DIMENSIONS FOR ROUGH OPENING

| FIXTURE | A     |
|---------|-------|
| 1 Light | 12.5" |
| 2 Light | 16.5" |
| 3 Light | 22"   |



## METHOD TWO

1. Fasten metal studs to existing beams.
2. Make a frame with metal studs.
3. Install gypsum ceiling.
3. Insert fixture through opening in ceiling and fasten through gypsum to metal studs.



**SPECIALTY LIGHTING INDUSTRIES, INC.** ©2004

1306 DORIS AVENUE OCEAN, NJ 07712 800.462.7812 732.517.0800 FAX 732.517.0971 [www.specialtylightingindustries.com](http://www.specialtylightingindustries.com)

These specifications subject to change without notice.