

Multi-lamp, solid state light engine, recessed linear wall washer. Nominal 5" (125mm) wide aperture, flangeless or flanged trim and acrylic lens.

SPECIFICATIONS

HOUSING

- Extruded aluminum with end plates.

MOUNTING

- Recessed in architectural ceiling

ELECTRICAL

- Integral electronic 0-10v or phase control dimmable driver.
- Integral wireway for connection to supply wires.

LAMP

- 8 watt LED 1100lm/ft supplied with fixture.
- Available in 2700 thru 4000K color temperature and 80/90+ CRI

SOCKET

- Semi-specular low iridescence aluminum reflector. Inline connectors allow removal and replacement.

LENS

- Proprietary AVA Optic included

TRIM

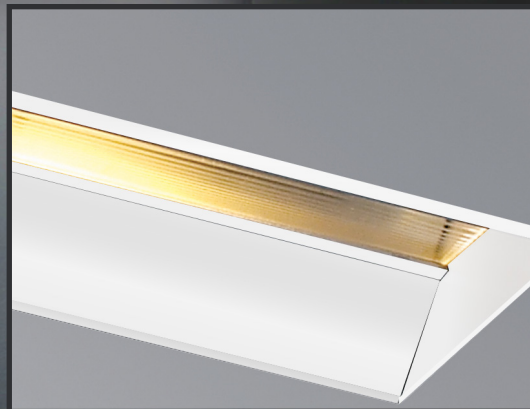
- Regress trim integral to housing. Available with or without flange

FINISH

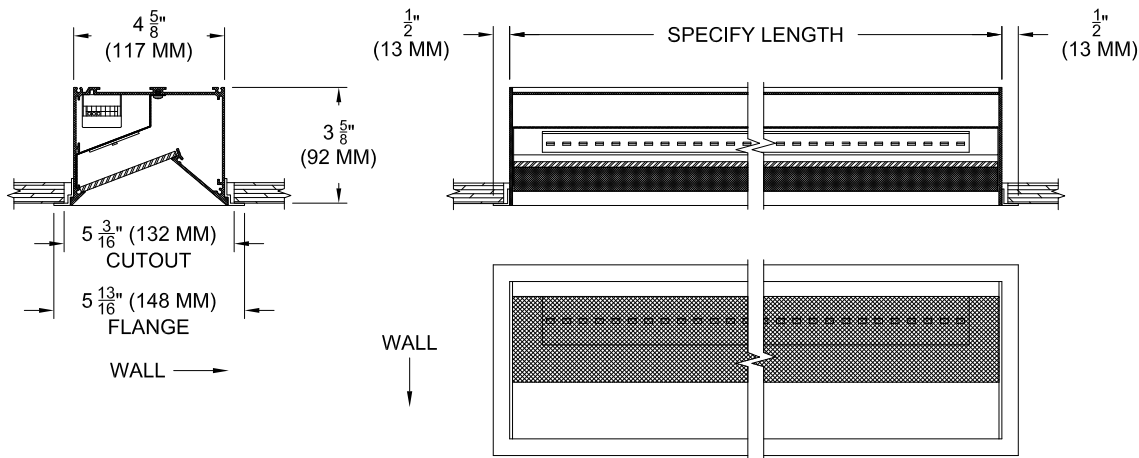
- Powder paint on all surfaces in black and white as standard
- Additional colors and RAL palette available
- Consult factory for custom finishes

LABELS

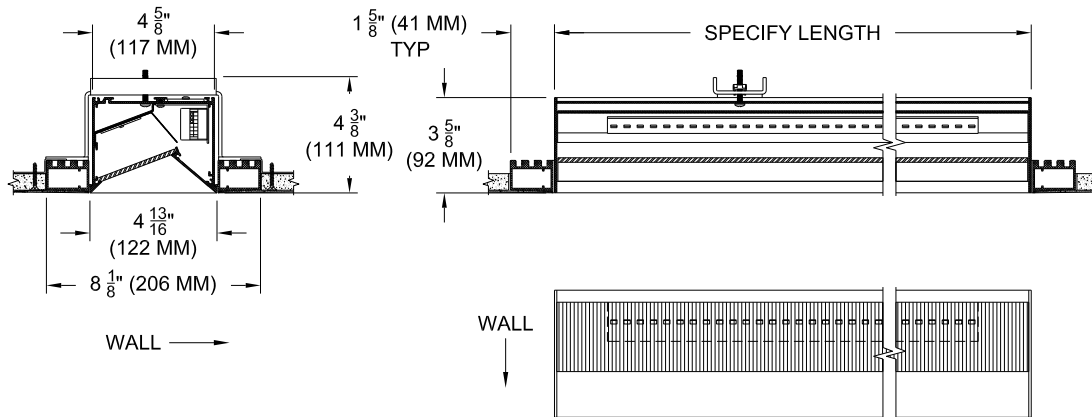
- CSA-C,US, Damp Location



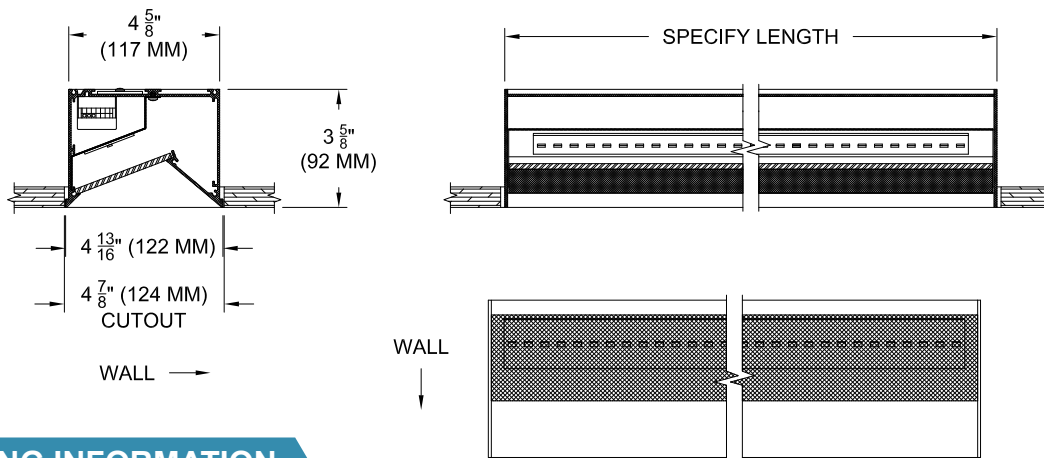
601-LEDP-FH



601-LEDP-PH



601-LEDP-WH



ORDERING INFORMATION

601-LEDP-	LENGTH	DRIVER	FINISH	APERTURE LENS
Flanged/Plaster/Wood Housing 8 = 80CRI 27=2700K 9 = 95CRI 30=3000K 35=3500K 40=4000K	Specify length in 1' (300mm) increments, 2' (600mm) minimum for integral driver.	UN2 =120-277v, HO -10v 1222W =120v, HO 2-wire *Add LT2 for Lutron 2 wire *Add LT3 for Lutron 3 wire	P14 = White BLK =Black PXX = SLI Color XXXX = RAL # CST = Custom	74A = AVA Optic