

Multi-lamp, solid state light engine, surface mounted linear general lighting fixture. Narrow profile wall grazer used in medium ceiling heights to highlight the texture in surfaces such as stucco or brick, illuminate flat surfaces such as venetian plaster, fabric, wood, or general lighting

SPECIFICATIONS

HOUSING

- Aluminum housing

MOUNTING

- Surface Mounted

ELECTRICAL

- Remote driver

LAMP

- (10), 80 CRI, 3000K Standard LED - supplied with fixture
Consult factory for additional options

SOCKET

- Circuit board mounted to extruded aluminum heatsink


LENS

- Acrylic diffusing lens as standard, narrow and wide beam optics available as standard
- Consult factory for custom options

FINISH

- Paint on all surfaces in black and white as standard
- Additional colors and RAL palette available
- Consult factory for custom finishes

LABELS

-  , US tested to UL standards 1598, Damp location, IC Rated

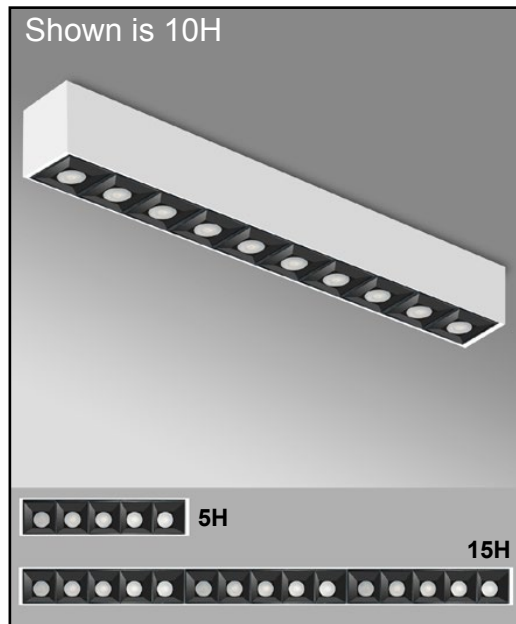
JOB: _____

SPECIFIER: _____

TYPE: _____

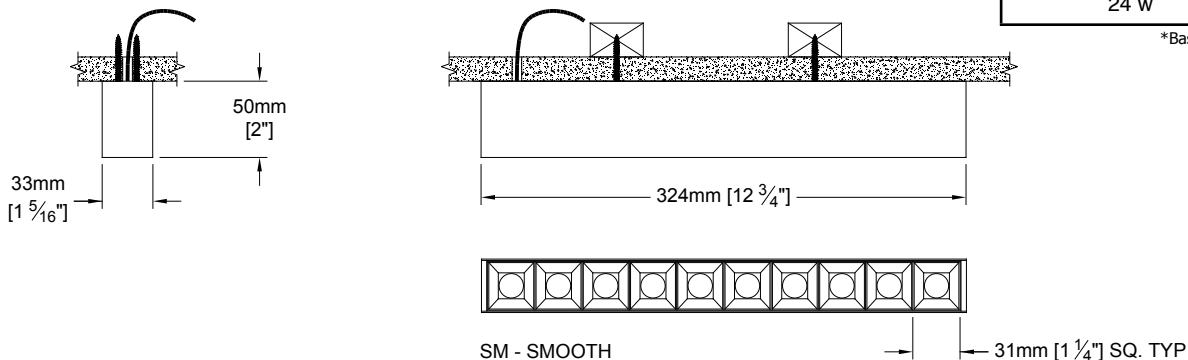
QUANTITY: _____

SIGNATURE: _____



OUTPUT CHART *	
WIDE (WD)	NARROW (NW)
1306 Lm	1724 Lm
24 w	24 w

*Based on 10H Configuration



ORDERING INFORMATION

888-LED-SH	CELLS	VOLTAGE	DRIVER	FLANGE/LOUVER	OPTIC	APERTURE LENS
SM			RX /	/		
BAFFLE TYPE SM = Smooth	5H 10H 15H CST	120 220/240 277 UNV = 120-277	2D = No Dimming 3D = TRIAC /ELV** 4D = 0-10v Dimming RX = remote **120V Only *Consult factory for additional options	WHT=White / WHT BLK=Black / BLK CST= CST	NW = Narrow WD = Wide	79A= Veiling Acrylic



U.S. Patent D788,968S
 These specifications subject to change without notice.

www.specialtylightingindustries.com
 1306 Doris Avenue, Ocean, NJ 07712 USA
 800.462.7812 732.517.0800 FAX:732.517.0971