

Multi-lamp, solid state light engine, recessed linear wall grazer with flanged housing. Narrow profile wall grazer used in medium ceiling heights to highlight the texture in surfaces such as stucco or brick, illuminate flat surfaces such as venetian plaster, fabric, wood, or general lighting

JOB: _____
SPECIFIER: _____
TYPE: _____
QUANTITY: _____
SIGNATURE: _____

SPECIFICATIONS

HOUSING

- Aluminum housing with integral flange

MOUNTING

- Recessed in architectural ceiling

ELECTRICAL

- Integral electronic dimmable driver
- 1, 2, 5 Cell configurations require Remote driver
- 1724 maximum lumens available

LAMP

- (10), 80 CRI, 3000K Standard LED - supplied with fixture
- Consult factory for additional options

SOCKET

- Circuit board mounted to extruded aluminum heatsink

LENS

- Acrylic diffusing lens as standard, narrow and wide beam optics available as standard
- Consult factory for custom options


TRIM

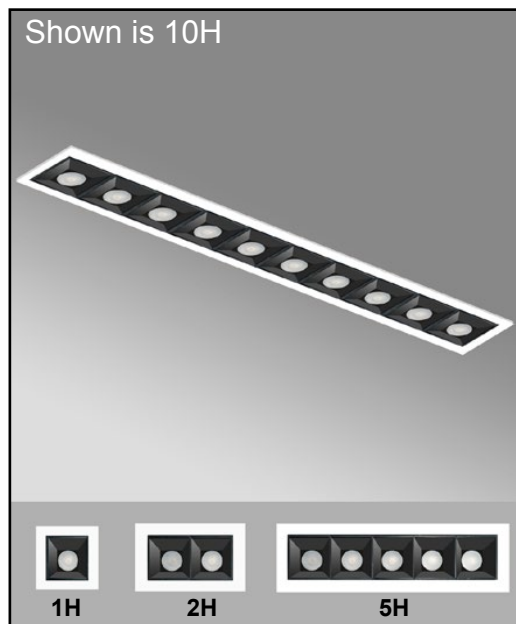
- Overlap flange

FINISH

- Paint on all surfaces in black and white as standard
- Additional colors and RAL palette available
- Consult factory for custom finishes

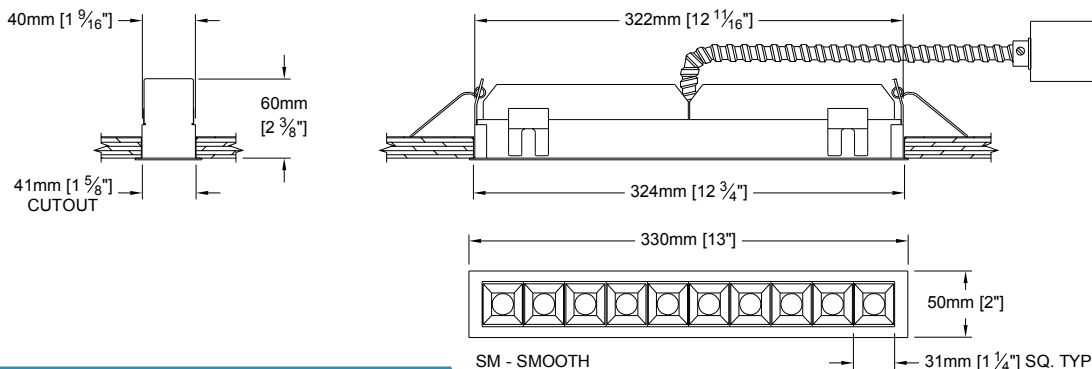
LABELS

-  , US tested to UL standards 1598, Damp location, IC Rated



OUTPUT CHART *	
WIDE (WD)	NARROW (NW)
1306 Lm	1724 Lm
24 w	24 w

*Based on 10H Configuration



ORDERING INFORMATION

888-LED-FH	CELLS	VOLTAGE	DRIVER	FLANGE/LOUVER	OPTIC	APERTURE LENS
SM				/		
BAFFLE TYPE SM = Smooth	1H* 2H* 5H* 10H 15H CST *Requires Remote Driver	120 220/240 277 UNV = 120-277	2D = No Dimming 3D = TRIAC /ELV** 4D = 0-10v Dimming RX = remote **120V Only *Consult factory for additional options	WHT =White / WHT BLK =Black / BLK CST = CST	NW = Narrow WD = Wide	79A = Veiling Acrylic



U.S. Patent D788,968S
 These specifications subject to change without notice.

www.specialtylightingindustries.com
 1306 Doris Avenue, Ocean, NJ 07712 USA
 800.462.7812 732.517.0800 FAX:732.517.0971