

Multi-lamp, low voltage halogen, recessed linear wall washer with nominal 5" (125mm) wide aperture, adjustable socket plate, flangeless trim and borosilicate supertex spread lens.

TYPE: \_\_\_\_\_

JOB: \_\_\_\_\_

SPECIFIER: \_\_\_\_\_

**SPECIFICATIONS**

**HOUSING** - Extruded aluminum housing with utrim plaster frame

**MOUNTING** - Recessed in sheetrock ceiling

**ELECTRICAL** - Fixture comes with terminal block for connection to remote transformer. Transformer should be sized for the run length and ordered separately

**LAMP** - ALR-12 (GBD) 20w, MR-16 spot, 37w max. supplied by others. Maximum 74w/linear foot

**LABELS** - UL, C-UL, Damp location

**SOCKET** - Precision die-formed aluminum socket plate. G4/G6 ceramic socket or nickel plated steel double contact bayonet base with stainless steel spring for optimum contact. High temperature lead wires

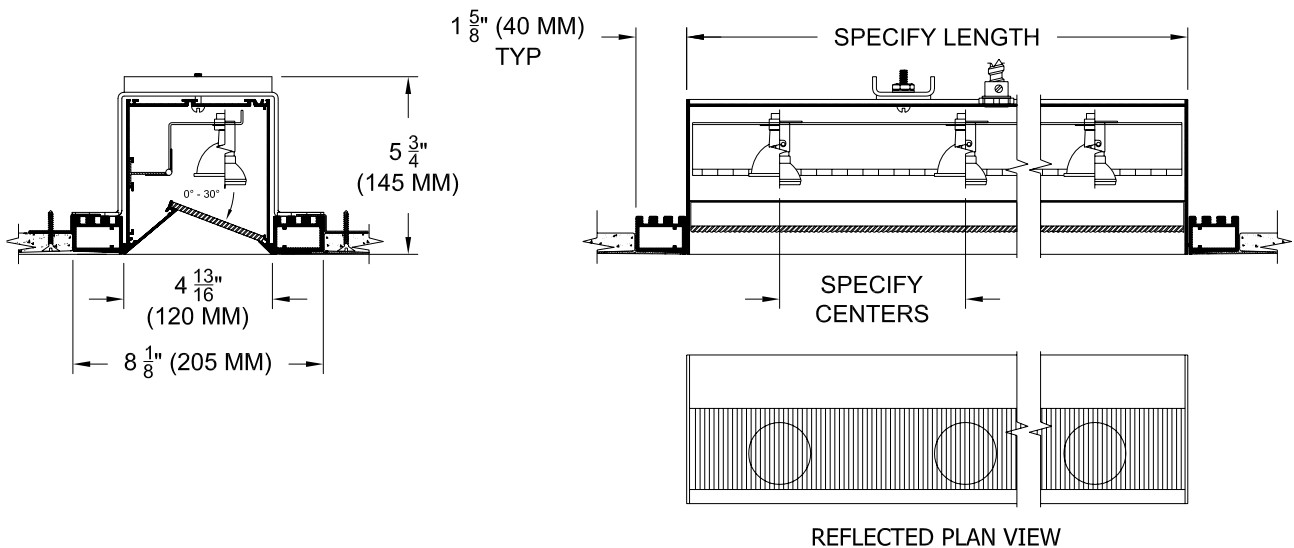
**LENS** - Supertex borosilicate glass. Others available consult factory

**TRIM** - Regress trim integral to housing

**FINISH** - Powder paint on all surfaces in black and white as standard. Additional colors and RAL palette available. Consult factory for custom finishes

**APPLICATIONS**

Small profile wall washer used in ceiling heights up to 16 feet (5m) to smoothly wash vertical surfaces and minimize surface texture



**ORDERING INFORMATION**

HOUSING	LENGTH	LAMP SPACING	TRANSFORMER	TRIM FINISH	APERTURE LENS
<b>815-__-PH</b>					
Plaster Flange Housing ALR = ALR12 Lamp MR = MR16 Lamp	Specify exact length	4 = 4" (100mm) 6 = 6" (150mm) 8 = 8" (200mm) or custom spacing	RX = Remote	WHT = White BLK = Black PXX = SLI Color XXXX = RAL # CST = Custom	82A = Frosted Supertex 92A = Supertex

This information is provided as a specification aid. A submittal will be prepared by the manufacturer for approval prior to fabricating this product.



**SPECIALTY LIGHTING INDUSTRIES, INC.**

NOTE: These specifications subject to change without notice.

[www.specialtylightingindustries.com](http://www.specialtylightingindustries.com)

1306 DORIS AVENUE, OCEAN, NJ 07712 USA 800.462.7812 732.517.0800 FAX 732.517.0971 © 07/11