

Multi-lamp, solid state light engine, deep baffle linear wall grazer with flanged housing, nominal 2" (51mm) wide aperture parabolic baffle and aperture lens. Narrow profile wall grazing downlight used in wall heights up to 12 feet (3.5m) to highlight the texture in surfaces such as stucco or brick, illuminate flat surfaces such as venetian plaster, wood, or specular surfaces such as polished stone or stainless steel.

JOB: _____
SPECIFIER: _____
TYPE: _____
QUANTITY: _____
SIGNATURE: _____

SPECIFICATIONS

HOUSING

- Extruded aluminum housing with integral flange

MOUNTING

- Recessed in architectural ceiling

ELECTRICAL

- Integral dimmable electronic driver with internal short circuit protection

LAMP

- 2 watt LED 2" (50mm) o.c. supplied with fixture

SOCKET

- Circuit board mounted to extruded aluminum heatsink
- Inline connectors allow removal and replacement

LENS

- Acrylic diffusing lens. Others available consult factory


TRIM

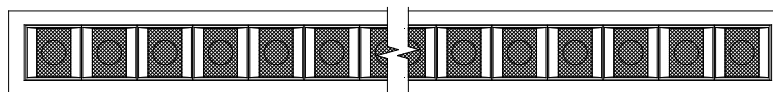
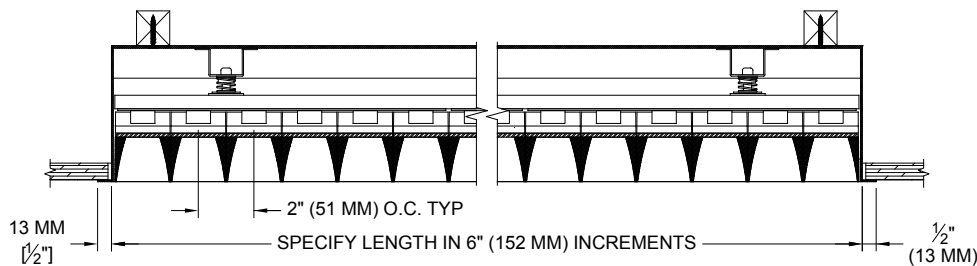
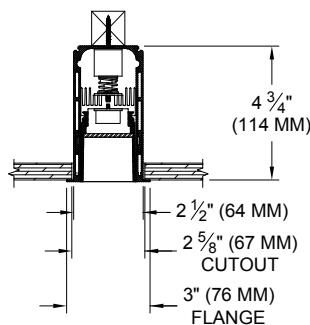
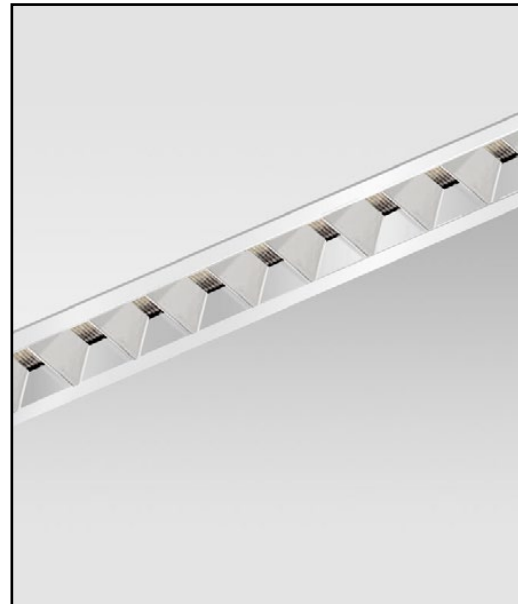
- Flanged parabolic louver baffle
- ST is flanged trim fully sealed and gasketed. Aperture lens required

FINISH

- Housing and louver available in various finishes
- Additional standard colors, RAL palette, custom finishes available

LABELS

-  US, US tested to UL standards 1598, Damp location, Wet with ST trim



REFLECTED PLAN VIEW

ORDERING INFORMATION

811DB-LED-FH	LENGTH	DRIVER	HOUSING / LOUVER	APERTURE LENS	ACCESSORIES
			/		
Flanged Housing 8 = 80 CRI 27 = 2700K 30 = 3000K 35 = 3500K	Specify exact length in increments of 6" (150 mm) Minimum 2' for integral driver	UN3 = 120v-277v, 0-10v Dim. 9W/ft 600lm/ft (nom.) UN5 = 120v-277v, 0-10v Dim. 12W/ft 700lm/ft (nom.) 122LT2 = 120v, Lutron 2 wire 9W/ft 1100lm/ft (nom.) 122LT3 = 120v, Lutron 3 wire 9W/ft 1100lm/ft (nom.) 123LT2 = 120v, Lutron 2 wire 9W/ft 600lm/ft (nom.) 123LT3 = 120v, Lutron 3 wire 9W/ft 600lm/ft (nom.) 125LT2 = 120v, Lutron 2 wire 12W/ft 700lm/ft (nom.) 125LT3 = 120v, Lutron 3 wire 12W/ft 700lm/ft (nom.)	WHT = White BLK = Black PXX = SLI Color CST = Custom	79A = Veiling Acrylic 81A = Frosted Solite 91A = Solite 92A = Supertex	ST = Shower Trim* LC = Lens Clip *Aperture lens required



Patent Pending.
 These specifications subject to change without notice.

www.specialtylightingindustries.com
 1306 Doris Avenue, Ocean, NJ 07712 USA
 800.462.7812 732.517.0800 FAX: 732.517.0971