

Multi-lamp, solid state light engine, recessed linear wall grazer with flanged housing, nominal 4" (100mm) wide aperture, parabolic baffle and regressed acrylic lens. Medium aperture wall grazer used in ceiling heights up to 30' (10M) to highlight the texture in surfaces such as stucco or brick, illuminate flat surfaces such as venetian plaster, fabric or wood, or specular surfaces such as polished stone or stainless steel.

**JOB:** \_\_\_\_\_  
**SPECIFIER:** \_\_\_\_\_  
**TYPE:** \_\_\_\_\_  
**QUANTITY:** \_\_\_\_\_  
**SIGNATURE:** \_\_\_\_\_

## SPECIFICATIONS

### HOUSING

- Precision die-formed heavy gauge aluminum with welded end plates and flange

### MOUNTING

- Recessed in architectural ceiling

### ELECTRICAL

- Integral multi-LED driver
- 120-277v current at 50hz or 60hz
- Compatible with 0-10V dimming, phase dimming of Lutron

### LAMP

- Xicato LED supplied with fixture

### LENS

- Veiling acrylic lens or frosted Supertex

### TRIM

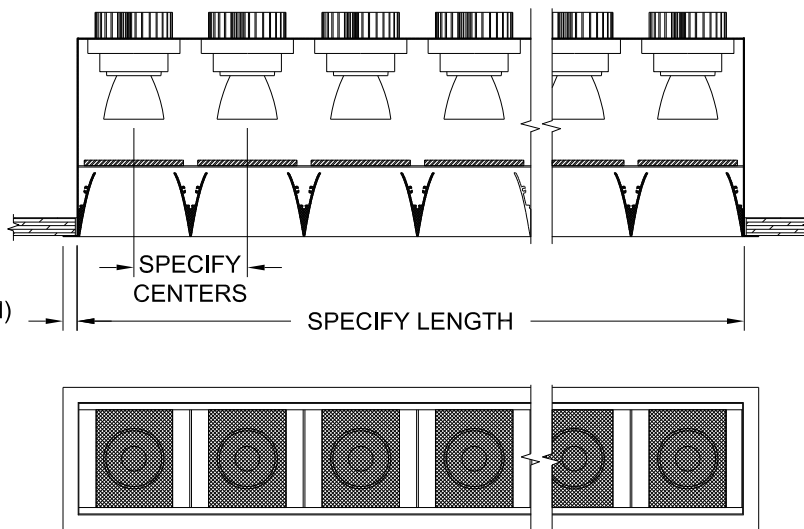
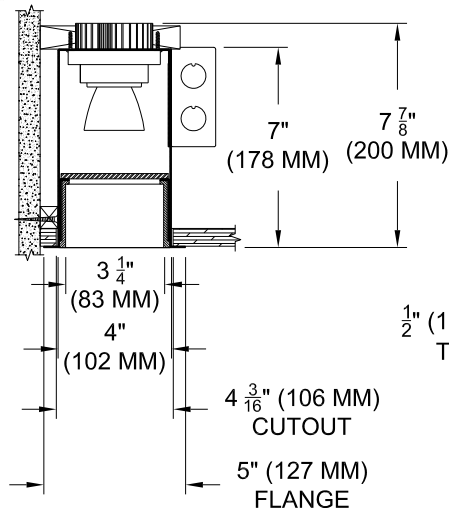
- Extruded aluminum side rails with extruded aluminum parabolic baffles

### FINISH

- Aperture trim available in black and white as standard
- Additional standard colors, RAL palette, custom finishes available

### LABELS

-  US, US tested to UL standards 1598, Damp location



REFLECTED PLAN VIEW

## ORDERING INFORMATION

811-LEDX-FH	LENGTH	LAMP SPACING	SOURCE / DRIVER*	HOUSING / LOUVER	APERTURE LENS
			/	/	
Flanged Housing 8 = 80 CRI 9 = 98 CRI  27 = 2700K 30 = 3000K 35 = 3500K 40 = 4000K	Specify exact length*  *Minimum Lamp Spacing 4" O.C.	4 = 4" 6 = 6" or custom spacing	<b>XT8</b> = 120v-277v, 8W 800lm <b>XT12</b> = 120v-277v, 12W 1055lm <b>XT17</b> = 120v-277v, 17W 1400lm <b>XT26**</b> = 120v-277v, 26W 2000lm  <b>S1</b> = 0-10V dimming, 1%, 120-277v <b>T1</b> = TRIAC/ELV 2-wire, 3% 120v (Lead/Trail Edge) <b>E1</b> = EidoLED 0-10V Logarithmic Dim, 0.1%, 120-277v <b>E2</b> = EidoLED DALI, 0.1%, 120-277v <b>E3</b> = EidoLED 0-10V Linear Dim, 0.1%, 120-277v <b>L2</b> = Ltrn Hi-lume 1% 2-wr LED driver (120v fwd phase) <b>L3</b> = Lutron Hi-lume 1% 3-wire/EcoSystem, 120-277v <b>LTB</b> = Lutron Hi-lume 1% EcoSys LED driver, 1%, 120-277v, Soft-on, Fade-to-Black	<b>P14</b> = White <b>BLK</b> = Black <b>PA</b> = Clear Aluminum <b>PXX</b> = SLI Color <b>CST</b> = Custom	<b>79A</b> = Veiling Acrylic <b>82A</b> = Frosted Supertex

\*Remote mount may be required  
 \*\*Contact Factory to request separate cutsheet

Patent Pending.  
 These specifications subject to change without notice.