

Multi-lamp, low-voltage halogen, recessed linear wall grazer with nominal 4" (100mm) wide aperture, parabolic baffle, flangeless trim, borosilicate supertex spread lens and pyrex walk over lens.

TYPE: \_\_\_\_\_

JOB: \_\_\_\_\_

SPECIFIER: \_\_\_\_\_

**SPECIFICATIONS**

**HOUSING** - Precision die-formed heavy gauge aluminum with welded end plates and flangeless lens frame.

**MOUNTING** - Recessed in architectural floor.

**ELECTRICAL** - Terminal block for connection of up to 10 Ga. wire. Transformer should be sized for the run length and ordered separately.

**LAMP** - ALR-12 (GBD) 20w, MR-16, 37w max. supplied by others.

**LABELS** - CE IP40

**SOCKET** - Precision die-formed aluminum socket plate. G4/G6 ceramic socket or nickel plated steel double contact bayonet base with stainless steel spring for optimum contact. High temperature lead wires.

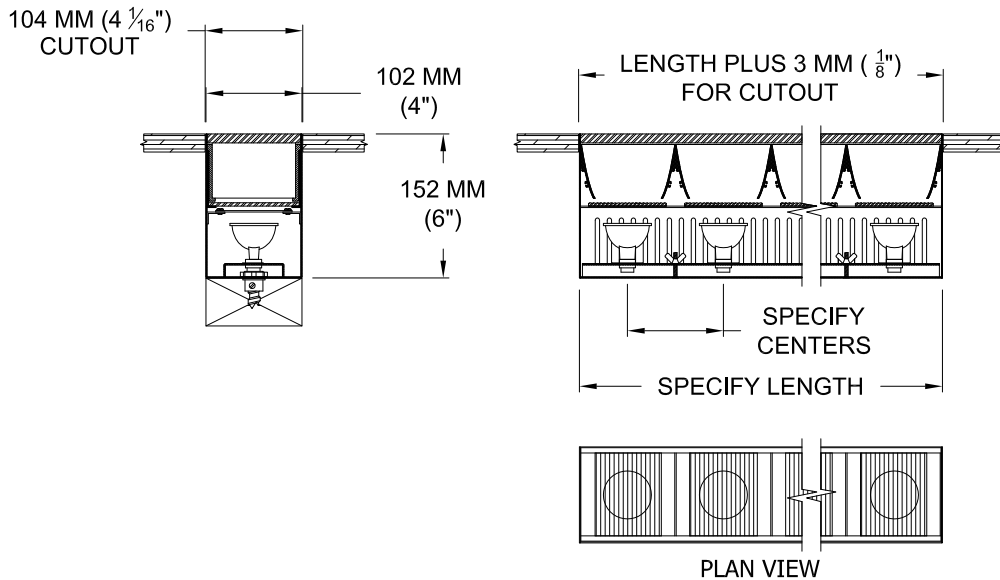
**LENS** - 9mm clear pyrex walkover lens and Supertex borosilicate glass spreadlens. Others available consult factory.

**TRIM** - Extruded aluminum side rails with extruded aluminum parabolic baffles.

**FINISH** - Black powder paint housing. Aperture trim available in black and white as standard. Additional colors and RAL palette available. Consult factory for custom finishes.

**APPLICATIONS**

Medium aperture wall grazer used in ceiling heights up to 20' (4M) to highlight the texture in surfaces such as stucco or brick, illuminate flat surfaces such as venetian plaster, fabric or wood, or specular surfaces such as polished stone or stainless steel.=



**ORDERING INFORMATION**

HOUSING	LENGTH	LAMP SPACING	TRANSFORMER	FINISH	APERTURE LENS	TOP LENS
811-____-IH			<b>RX</b>		<b>92A</b>	
Inverted Housing ALR = ALR Lamp MR = MR16 Lamp	Specify exact length	100 = 100mm 150 = 150mm or custom spacing	RX = Remote	WHT = White BLK = Black PXX = SLI Color XXXX = RAL # CST = Custom	92A = Supertex	CP = Clear Pyrex FP = Frosted Pyrex

This information is provided as a specification aid. A submittal will be prepared by the manufacturer for approval prior to fabricating this product.



**SPECIALTY LIGHTING INDUSTRIES, INC.**

NOTE: These specifications subject to change without notice.

[www.specialtylightingindustries.com](http://www.specialtylightingindustries.com)

1306 DORIS AVENUE, OCEAN, NJ 07712 USA 800.462.7812 732.517.0800 FAX 732.517.0971 © 06/11