

Fluorescent recessed linear wall washer with nominal 5" (125mm) wide aperture, flangeless trim and acrylic fresnel lens. Small aperture slot used in ceiling heights up to 12 feet (4m) to smoothly wash vertical surfaces such as walls, marker boards, information panels, etc. Suitable for new construction.

SPECIFICATIONS

HOUSING

- Extruded aluminum housing with utrim plaster frame

MOUNTING

- Recessed in sheetrock ceiling

ELECTRICAL

- Integral electronic ballast, dimming ballast available
- Integral wireway for connection to supply wires

LAMP

- T5 Fluorescent supplied by others

SOCKET

- Semi-specular low iridescence aluminum reflector
- G5 socket with rotor for secure lamp retention

LENS

- Acrylic fresnel lens

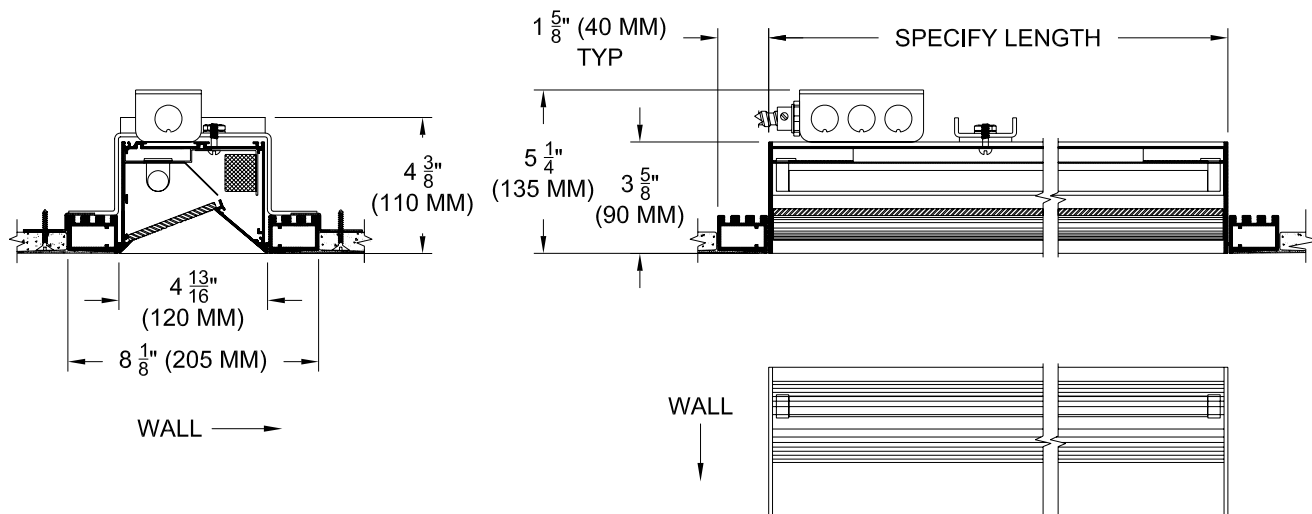
FINISH

- Powder paint on all surfaces in black and white as standard
- Additional colors and RAL palette available
- Custom finishes available

LABELS

- UL, C-UL, Damp location

JOB: _____
 SPECIFIER: _____
 TYPE: _____
 QUANTITY: _____
 SIGNATURE: _____



ORDERING INFORMATION

601-T5-PH	LENGTH	LAMP	BALLAST	FINISH	APERTURE LENS
Plaster Flange Housing	Specify exact length	Wattage 14 24HO 21 39HO 28 54HO 35 80HO	120 220 240 277 add DM for dimming	P14 = White BLK=Black PXX = SLI Color XXXX = RAL # CST = Custom	84A= Fresnel Acrylic 87A= Frosted Fresnel Acrylic



Patent Pending.
 These specifications subject to change without notice.

www.specialtylightingindustries.com
 1306 Doris Avenue, Ocean, NJ 07712 USA
 800.462.7812 732.517.0800 FAX:732.517.0971