

Multi-lamp, low voltage halogen or line voltage krypton recessed linear wall washer with nominal 5" (125mm) wide aperture, and cast borosilicate fresnel lens. Small aperture slot used in low ceiling heights typically found in residential and commercial applications. Smooth washes artwork and vertical surfaces such as walls, information panels, etc. Suitable for new construction.

JOB: _____

SPECIFIER: _____

TYPE: _____

QUANTITY: _____

SIGNATURE: _____

SPECIFICATIONS

HOUSING

- Extruded aluminum housing with minimal flange

MOUNTING

- Recessed in millwork ceiling

ELECTRICAL

- Fixture comes with terminal block for connection to power supply
- Remote transformer, if required, should be sized for the run length and ordered separately

LAMP

- T2 - T3 frosted 12v or 24v, T4 frosted DC bayonet base 120v 20w max. supplied by others

SOCKET

- Precision die-formed aluminum socket plate
- G4/G6 ultem or nickel plated steel double contact bayonet base socket
- High temperature, teflon coated lead wires
- Socket pivots for easy relamping

LENS

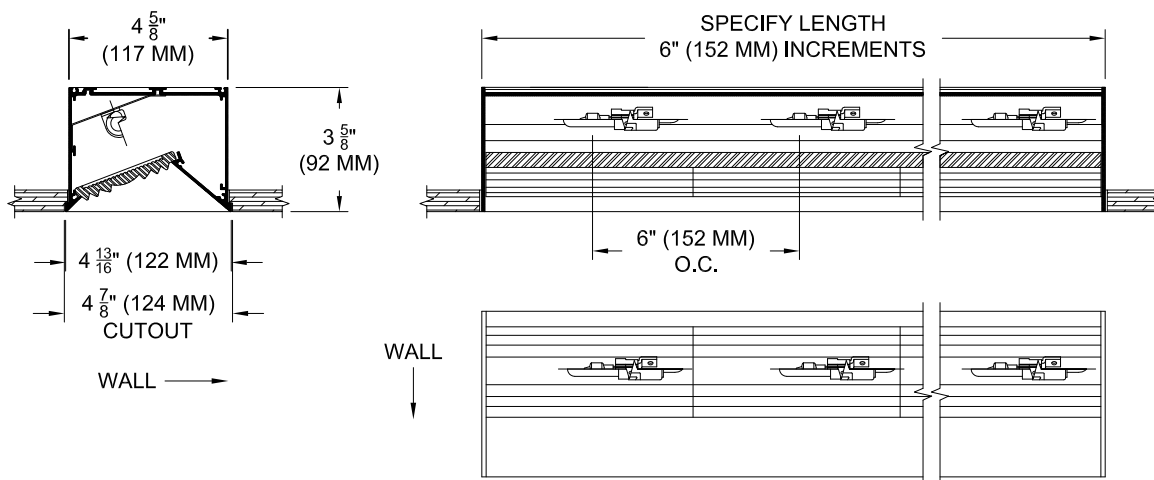
- Cast borosilicate fresnel lens

FINISH

- Powder paint on all surfaces in black and white as standard
- Additional colors and RAL palette available
- Custom finishes available

LABELS

- UL, C-UL, Damp location



ORDERING INFORMATION

601-T34-WH	LENGTH	WATTS/SOCKET	TRANSFORMER	FINISH	APERTURE LENS
Wood Housing T3=Low Voltage T4=Line Voltage	Specify exact length in increments of 6", (150mm)	5T3 10T3 20T3 20T4	RX =Remote (Required for low voltage only)	P14 = White BLK=Black PXX = SLI Color XXXX = RAL # CST = Custom	80A= Fresnel 83A= Frosted Fresnel



Patent Pending.
These specifications subject to change without notice.

www.specialtylightingindustries.com
1306 Doris Avenue, Ocean, NJ 07712 USA
800.462.7812 732.517.0800 FAX:732.517.0971