

Single lamp, low-voltage halogen, recessed 2" aperture down light. Four aperture styles, Flood with low brightness parabolic reflector, Spot with 1" regressed opening, Pinhole with 1" flush opening or Glass with decorative glass cylinder.

TYPE: \_\_\_\_\_

JOB: \_\_\_\_\_

SPECIFIER: \_\_\_\_\_

**SPECIFICATIONS**

**HOUSING** - Precision die-formed heavy gauge aluminum with machined adjustable ceiling collar.

**SOCKET** - G4/G6 ceramic socket with high temperature, teflon coated lead wires.

**MOUNTING** - Recessed in architectural ceiling.

**LENS** - Clear borosilicate aperture lens. Optional spread lenses available.

**ELECTRICAL** - External thermoprotector. For use with remote transformer. Transformer should be sized for the run length and ordered separately.

**TRIM** - CNC machined spot cone, spun anodized aluminum flood cone or decorative glass cylinder.

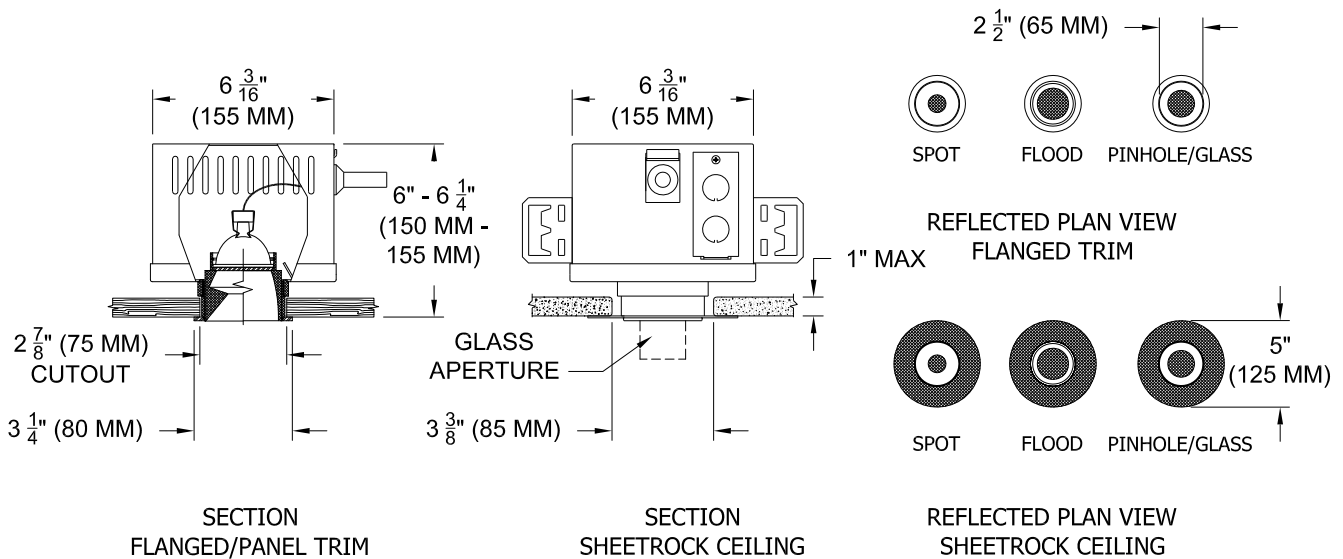
**LAMP** - MR-16, 50w max. supplied by others.

**FINISH** - Black powder paint housing. Aperture trim in clear and gold alzak, black or white. Additional colors and RAL palette available. Consult factory for custom finishes.

**LABELS** - CSA-C,US, Damp location

**APPLICATIONS**

General downlighting in low to medium ceiling heights typically found in residential, commercial and retail applications. Suitable for new construction.



**ORDERING INFORMATION**

HOUSING	TRIM	APERTURE	TRANSFORMER	TRIM FINISH	APERTURE LENS
4500-MR16-CUH			RX /		
Compact Universal Housing	FT = Flanged Trim PT = Panel Trim ZT = Zero Trim	FA = Flood GA = Glass PA = Pinhole SA = Spot	RX = Remote 120 277	CAA = Clear (FA) GAA = Gold (FA) P14 = White BLK = Black PXX = SLI Color XXXX = RAL # CST = Custom	90L = Clear 91L = Solite 92L = Supertex 93L = Frosted 95L = Full Prismatic



**SPECIALTY LIGHTING INDUSTRIES, INC.**

NOTE: These specifications subject to change without notice.

[www.specialtylightingindustries.com](http://www.specialtylightingindustries.com)

1306 DORIS AVENUE, OCEAN, NJ 07712 USA 800.462.7812 732.517.0800 FAX 732.517.0971 © 04/11