

# ROUND SMALL APERTURE RECESSED DOWN LIGHT

4500-LEDZ-ZH

Single lamp, solid state light engine, recessed 2" (50mm) aperture down light. Flood aperture with low brightness parabolic reflector or glass aperture with decorative glass cylinder. General downlighting in medium ceiling heights typically found in residential, commercial and retail applications. Suitable for new construction

## SPECIFICATIONS

### HOUSING

- Precision die-formed heavy gauge aluminum

### MOUNTING

- Recessed in architectural ceiling

### ELECTRICAL

- Integral dimmable electronic driver with internal short circuit protection
- 120v-277v primary, compatible with 0-10v dimmers / Available for 120 phase control

### LAMP

- Citizen LED supplied with fixture

### SOCKET

- Precision CNC machined lampholder assembly

### LENS

- Interchangeable reflector provides multiple beam patterns
- Optional borosilicate lenses available for aperture


### TRIM

- Spun anodized aluminum reflector cone or decorative glass cylinder
- ST trim for wet location available

### FINISH

- Aperture trim available in black and white as standard
- Additional colors, RAL palette, custom finishes available

### LABELS

-  , US tested to UL standards 1598, Damp location, Wet with ST trim

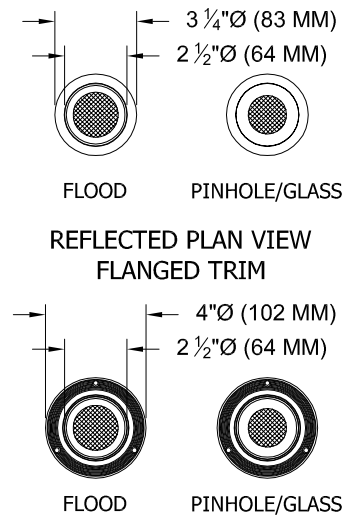
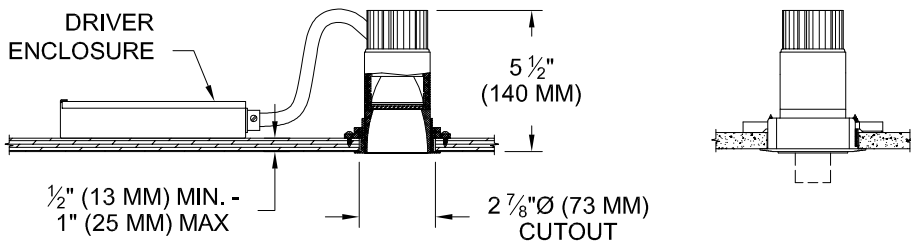
JOB: \_\_\_\_\_

SPECIFIER: \_\_\_\_\_

TYPE: \_\_\_\_\_

QUANTITY: \_\_\_\_\_

SIGNATURE: \_\_\_\_\_



## ORDERING INFORMATION

4500-LEDZ-ZH	TRIM	APERTURE	DRIVER	BEAMSPREAD	TRIM FINISH	APERTURE LENS
			<b>CZ14</b> /			
Zero Housing 9 = 90+CRI 27 = 2700K 30 = 3000K 35 = 3500K 40 = 4000K	FT=Flanged Trim PT=Panel Trim ST=Shower Trim* ZT=Zero Trim  *Aperture lens required	FA = Flood GA = Glass PA = Pinhole	<b>CZ14=120-277v, 14W 1100lm</b>  S1 =0-10V dimming, 1%, 120-277v T1 =TRIAC/ELV 2-wire, 3% 120v (Lead/Trail Edge) E1 =EldoLED 0-10V Logarithmic Dim, 0.1%, 120-277v E2 =EldoLED DALI, 0.1%, 120-277v E3 =EldoLED 0-10V Linear Dim, 0.1%, 120-277v L2 =Ltrn Hi-lume 1% 2-wr LED driver (120v fwd phase) L3 =Ltrn Hi-lume 1% 3-wire/EcoSystem, 120-277v LTB =Lutron Hi-lume 1% EcoSys LED driver, 1%, 120-277v, Soft-on, Fade-to-Black	<b>15 = 15 Degrees</b> <b>24 = 24 Degrees</b> <b>38 = 38 Degrees</b>	<b>CAA = Clear (FA)</b> <b>GAA = Gold (FA)</b> <b>P14 = White</b> <b>BLK=Black</b> <b>PXX = SLI Color</b> <b>CST = Custom</b>	<b>Blank= None</b> <b>79A= Veiling Acrylic</b> <b>91A= Solite</b> <b>93A= Frosted</b>

\*ELDO and Lutron are remote mounted



Patent Pending. These specifications subject to change without notice.

[www.specialtylightingindustries.com](http://www.specialtylightingindustries.com)  
1306 Doris Avenue, Ocean, NJ 07712 USA  
800.462.7812 732.517.0800 FAX:732.517.0971