

Single lamp, solid state light engine, recessed 2" (50mm) aperture down light. Flood aperture with low brightness parabolic reflector or glass aperture with decorative glass cylinder. General downlighting in medium ceiling heights typically found in residential, commercial and retail applications. Suitable for new construction

SPECIFICATIONS

HOUSING

- Precision die-formed heavy gauge aluminum
- ≈ Airtight construction suitable for direct contact with insulation

MOUNTING

- Recessed in architectural ceiling

ELECTRICAL

- Integral dimmable electronic driver with internal short circuit protection
- 120v-277v primary, compatible with 0-10v dimmers / Available for 120 phase control

LAMP

- Citizen LED supplied with fixture

SOCKET

- Precision CNC machined lampholder assembly

LENS

- Interchangeable reflector provides multiple beam patterns
- Optional borosilicate lenses available for aperture


TRIM

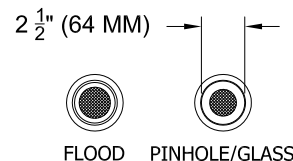
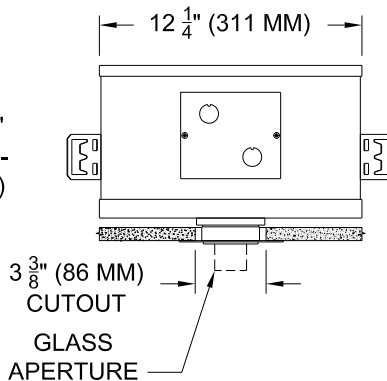
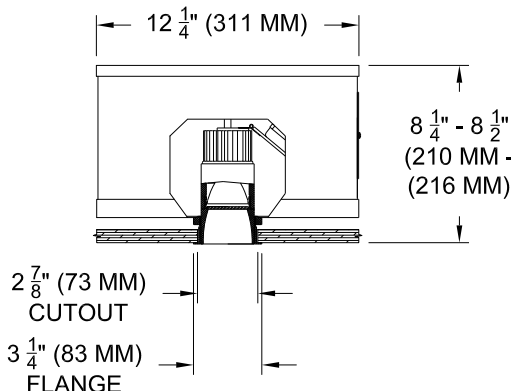
- Spun anodized aluminum reflector cone or decorative glass cylinder
- ST trim for wet location available

FINISH

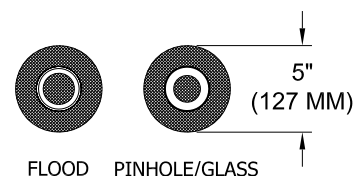
- Black powder paint housing
- Aperture trim available in black and white as standard
- Additional colors, RAL palette, custom finishes available

LABELS

-  , US tested to UL standards 1598, Damp location, Wet with ST trim, IC/Airtight



REFLECTED PLAN VIEW
FLANGED TRIM



ORDERING INFORMATION

| 4500-LEDZ-AUH | TRIM | APERTURE | DRIVER | BEAMSPREAD | TRIM FINISH | APERTURE LENS |
|---|--|--|---|---|--|--|
| Airtight Universal Housing 9 = 90+CRI 27 = 2700K 30 = 3000K 35 = 3500K 40 = 4000K | FT=Flanged Trim PT=Panel Trim ST=Shower Trim* ZT=Zero Trim *Aperture lens required | FA = Flood GA = Glass PA = Pinhole | CZ14=120-277v, 14W 1100lm CZ20=120-277v, 20W 1650lm S1 =0-10V dimming, 1%, 120-277v T1 =TRIAC/ELV 2-wire, 3% 120v (Lead/Trail Edge) E1 =EldoLED 0-10V Logarithmic Dim, 0.1%, 120-277v E2 =EldoLED DALI, 0.1%, 120-277v E3 =EldoLED 0-10V Linear Dim, 0.1%, 120-277v L2 =Ltrn Hi-lume 1% 2-wire LED driver (120v fwd phase) L3 =Ltrn Hi-lume 1% 3-wire/EcoSystem, 120-277v LTB =Lutron Hi-lume 1% EcoSys LED driver, 1%, 120-277v, Soft-on, Fade-to-Black | 15 = 15 Degrees 24 = 24 Degrees 38 = 38 Degrees | CAA = Clear (FA) GAA = Gold (FA) P14 = White BLK=Black PXX = SLI Color CST = Custom | Blank= None 79A= Veiling Acrylic 91A= Solite 93A= Frosted |

*ELDO and Lutron are remote mounted