

Single lamp, solid state light engine, recessed down light with conical trim 3" (75mm) aperture and optional glass diffuser.

TYPE: \_\_\_\_\_

JOB: \_\_\_\_\_

SPECIFIER: \_\_\_\_\_

**SPECIFICATIONS**

**HOUSING** - Precision die-formed heavy gauge aluminum with machined adjustable ceiling collar.

**SOCKET** - LED module can be replaced in the field.

**MOUNTING** - Recessed in architectural ceiling.

**ELECTRICAL** - Integral dimmable electronic driver with internal short circuit protection. 120v-277v primary, compatible with 0-10v dimmers.

**LENS** - Interchangeable reflector provides multiple beam patterns. Optional borosilicate lenses available for aperture.

**TRIM** - Flangeless die cast conical shield. ST trim fully sealed and gasketed.

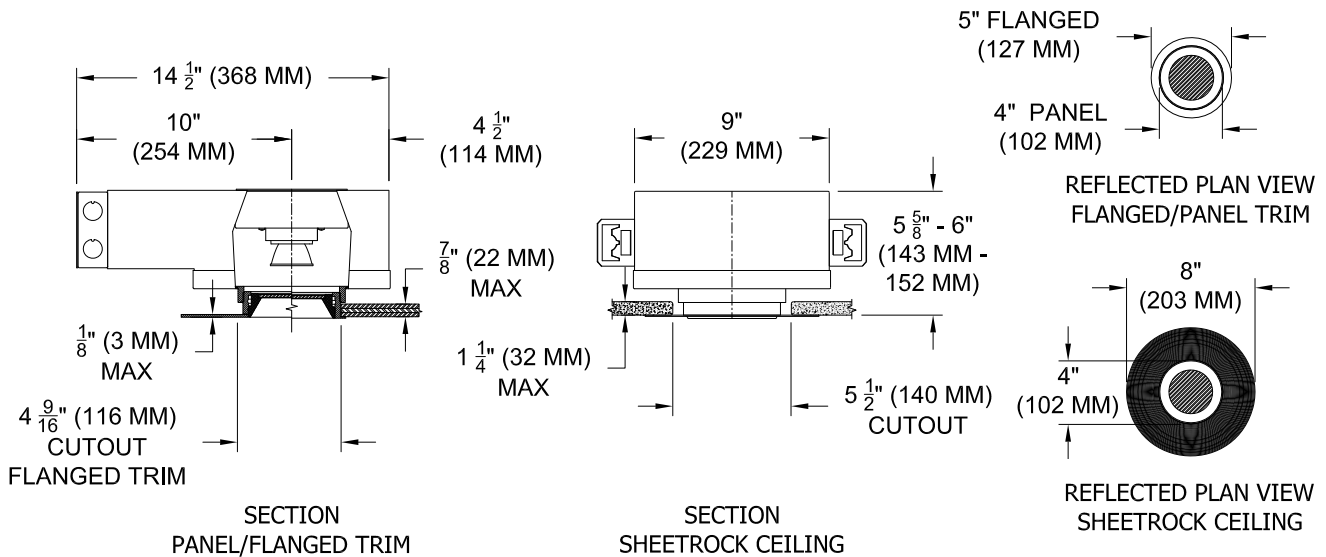
**LAMP** - Xicato LED supplied with fixture. Available in 2700 or 3000K color temperature and 80 or 95 CRI.

**FINISH** - Black powder paint housing. Aperture trim available in black and white as standard. Solid wood, additional colors and RAL palette available. Consult factory for custom finishes.

**LABELS** - CSA-C,US, Damp Location, Wet with ST trim.

**APPLICATIONS**

General downlighting in medium to high ceiling heights typically found in residential, commercial and retail applications. Suitable for new construction. Zero trim can be used with in solid surface ceilings such as wood, stone, metal panel or glass.



**ORDERING INFORMATION**

HOUSING	TRIM	DRIVER	BEAMSPREAD	TRIM FINISH	APERTURE LENS
4016-LEDX_-SUH					
Universal Housing CRI CCT 8 = 80 27 = 2700K 9 = 95 30 = 3000K 35 = 3500K	FT = Flanged Trim PT = Panel Trim ST = Shower Trim ZT = Zero Trim	125 = 120v-277v HE 127 = 120v-277v HO 1210 = 120v-277v VHO	10 = 10 Degrees 20 = 20 Degrees 30 = 30 Degrees 40 = 40 Degrees	P14 = White PXX = SLI Color WXX = Wood XXXX = RAL # CST = Custom	Blank = None 91A = Solite 92A = Supertex 93A = Frosted 95A = Full Prismatic

[CLICK HERE](#) for LED and driver performance information including wattage and lumen output or go to [www.specialtylightingindustries.com](http://www.specialtylightingindustries.com).



**SPECIALTY LIGHTING INDUSTRIES, INC.**

NOTE: These specifications subject to change without notice.

[www.specialtylightingindustries.com](http://www.specialtylightingindustries.com)

1306 DORIS AVENUE, OCEAN, NJ 07712 USA 800.462.7812 732.517.0800 FAX 732.517.0971 © 01/13