

Dual lamp, metal halide, recessed combination wall washer and accent light with nominal 4"x 8" (100mm x 200mm) rectangular 2 cell aperture and flangeless trim.

TYPE: _____

JOB: _____

SPECIFIER: _____

SPECIFICATIONS

HOUSING - Precision die-formed heavy gauge aluminum with die-cast ceiling collar and adjustable mounting bracket.

MOUNTING - Recessed in architectural ceiling.

ELECTRICAL - Integral electronic ballast. 120v primary lead, (220v, 240v, 277v available).

LAMP - (2) GE MR16CMH 39w max. supplied by others.

LABELS - CSA-C,US, Damp location

SOCKET - Precision die-formed aluminum socket plate and one adjustable aluminum yoke and CNC machined lampholder assembly. GX10 ceramic sockets with high temperature lead wires.

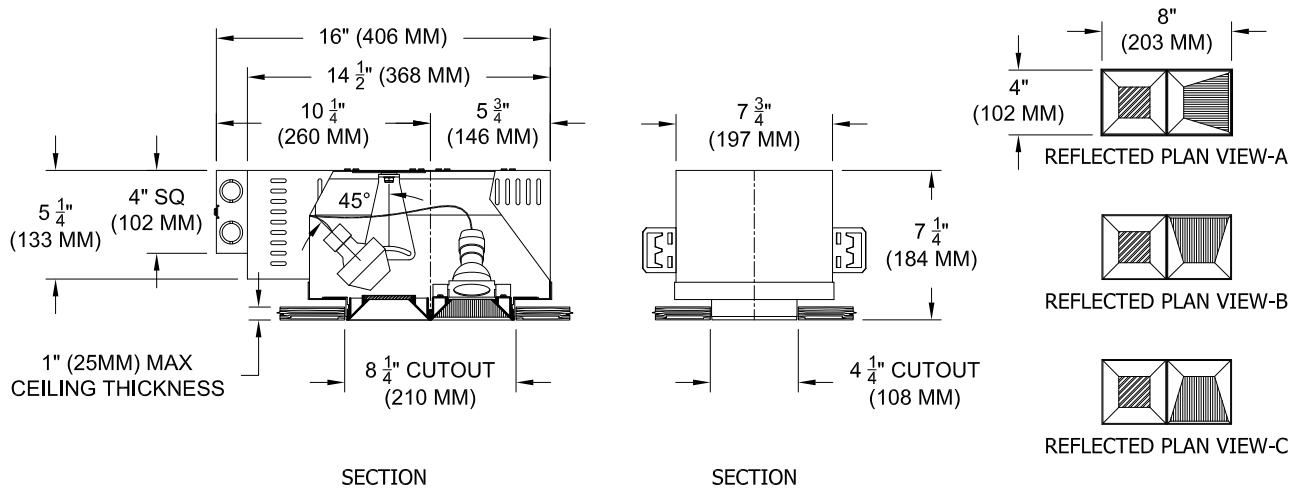
LENS - Supertex borosilicate spread lens, hinged for relamping. Optional lens on accent light cell.

TRIM - Flangeless, two piece die-cast aluminum pyramidal shield.

FINISH - Black powder paint housing. Aperture trim available in black and white as standard. Solid wood, additional colors and RAL palette available. Consult factory for custom finishes.

APPLICATIONS

Wallwashing and accent lighting in medium to tall ceiling heights typically found in commercial and retail applications. Suitable for new construction. Zero trim can be used with in solid surface ceilings such as wood, stone, metal panel or glass.



ORDERING INFORMATION

HOUSING	TRIM	BALLAST	LENS HOLDER	LAMP LENS	TRIM FINISH	APERTURE LENS
1240AW-2MR16MH-UH	ZT	/				
Universal Housing AWA = Side WW AWB = Right WW AWC = Left WW	ZT = Zero Trim	20 = 20 Watt 120 39 = 39 Watt 220 240 277	CL= Conical FL = Flat IL = Indexed	90L = Clear 91L = Solite 92L = Supertex 95L = Full Prismatic 96L = Black Hexcell	WHT = White BLK = Black PXX = SLI Color XXXX = RAL # CST = Custom	Blank = None 91A = Solite 92A = Supertex 93A = Sandblasted 95A = Full Prismatic



SPECIALTY LIGHTING INDUSTRIES, INC.

NOTE: These specifications subject to change without notice.

www.specialtylightingindustries.com

1306 DORIS AVENUE, OCEAN, NJ 07712 USA 800.462.7812 732.517.0800 FAX 732.517.0971 ©02/13