

Dual lamp, solid state light engine, recessed combination wallwasher and downlight with 4"x 8" (100mm x 200mm) rectilinear 2 cell aperture and flangeless trim. Wallwash and downlighting in low to medium ceiling heights typically found in residential, commercial and retail applications. Suitable for new construction.

SPECIFICATIONS

HOUSING

- Precision die-formed heavy gauge aluminum with extruded ceiling collar

MOUNTING

- Recessed in architectural ceiling

ELECTRICAL

- Integral dimmable electronic driver with internal short circuit protection
- 120v-277v primary, compatible with 0-10v dimmers / Available for 120 phase control and Lutron

LAMP

- (2) Citizen LEDs supplied with fixture
- Available in 2700 thru 4000K color temperature and 90+ CRI

SOCKET

- Precision aluminum yoke with CNC machined lampholder assembly
- Usocket™** allows easy field replacement of light engine

LENS

- Frosted Supertex borosilicate spread lens, hinged for relamping


TRIM

- Flangeless, two piece die-cast aluminum pyramidal shield

FINISH

- Black powder paint housing
- Aperture trim available in black and white as standard
- Solid wood, additional colors, RAL palette, custom finishes available

LABELS

-  , US tested to UL standards 1598, Damp location

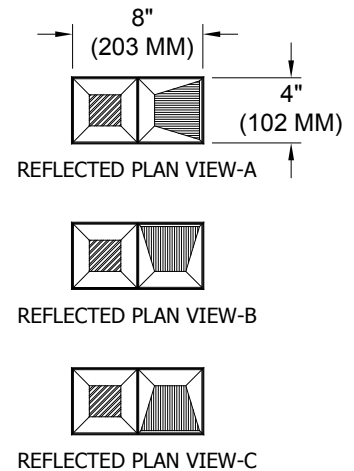
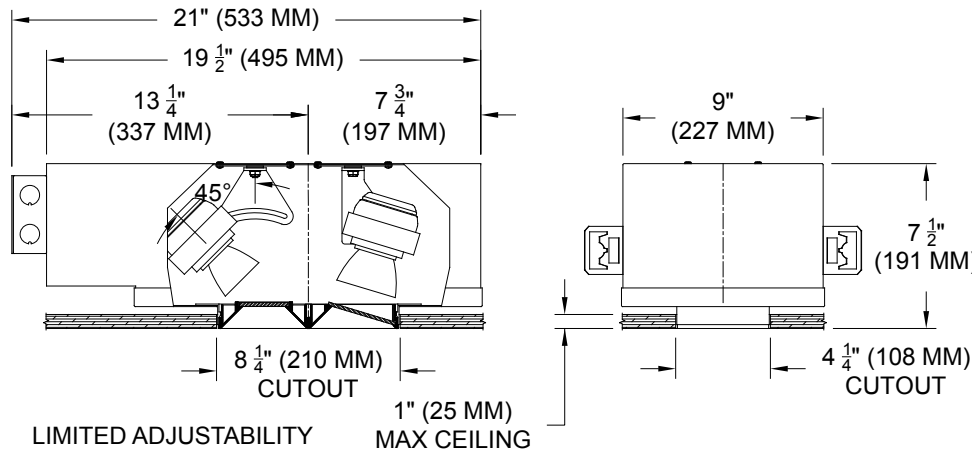
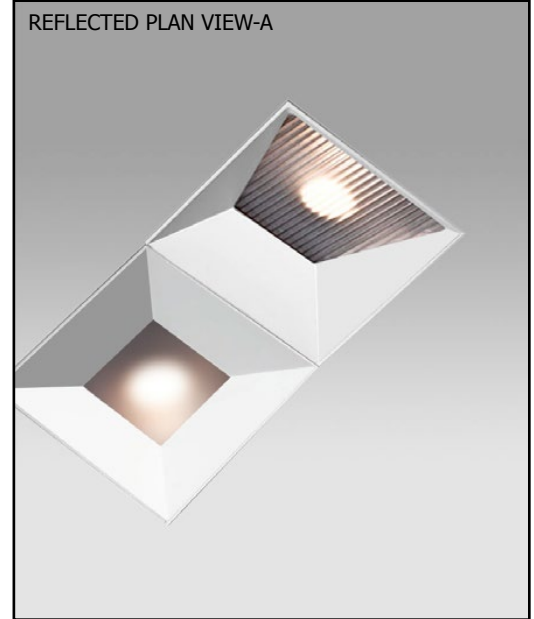
JOB: _____

SPECIFIER: _____

TYPE: _____

QUANTITY: _____

SIGNATURE: _____



ORDERING INFORMATION

1240AW-2LEDZ-UH	CRI / COLOR TEMP	TRIM	DRIVER	TRIM FINISH	DOWN / WW APERTURE LENS
					/ 82A
AWA = Side WW AWB = Right WW AWC = Left WW	Universal Housing 9 = 90+CRI 27 = 2700K 30 = 3000K 35 = 3500K 40 = 4000K	ZT =Zero Trim PT =Panel Trim** **WXX only	CZ14 =120-277v, 14W 1100lm CZ20 =120-277v, 20W 1650lm CZ28 =120-277v, 28W 2200lm *Add ELDO for EldoLED 0-10v Dimming *Add DM2 for 2 wire dimming *Add LT2, LT3, LT5 for Lutron 2 wire, Lutron 3 wire, Lutron 5 wire dimming, LTB for Lutron Fade-to-Black	P14 = White BLK =Black PXX = SLI Color WXX = Wood XXXX = RAL # CST = Custom	82A = Frosted Supertex 91A = Solite 92A = Supertex 93A = Frosted 95A = Full Prismatic



Patent Pending.
 These specifications subject to change without notice.

www.specialtylightingindustries.com
 1306 Doris Avenue, Ocean, NJ 07712 USA
 800.462.7812 732.517.0800 FAX:732.517.0971