

Dual lamp, solid state light engine, recessed combination wallwasher and downlight with 4"x 8" (100mm x 200mm) rectilinear 2 cell aperture and flangeless trim. Wallwash and downlighting in low to medium ceiling heights typically found in residential, commercial and retail applications. Suitable for new construction. AmbientDim™ provides Superior CRI at all dimming levels.

SPECIFICATIONS

HOUSING

- Precision die-formed heavy gauge aluminum
- ≈ Airtight construction suitable for direct contact with insulation

MOUNTING

- Recessed in architectural ceiling

ELECTRICAL

- Integral dimmable electronic driver with internal short circuit protection

LAMP

- (2) AmbientDim™ LEDs supplied with fixture

SOCKET

- Precision aluminum yoke with CNC machined lampholder assembly

LENS

- Frosted Supertex borosilicate spread lens, hinged for relamping


TRIM

- Flangeless, two piece die-cast aluminum pyramidal shield

FINISH

- Black powder paint housing
- Aperture trim available in black and white as standard
- Solid wood, additional colors, RAL palette, custom finishes available

LABELS

-  , US tested to UL standards 1598, Damp location, IC/Airtight

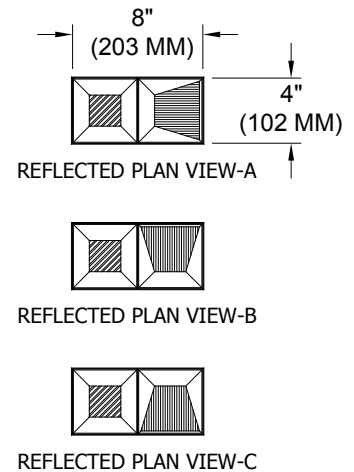
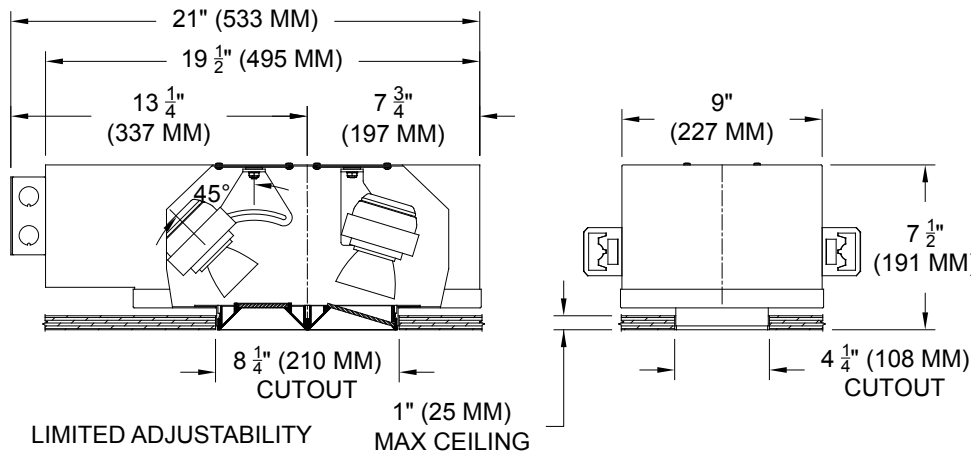
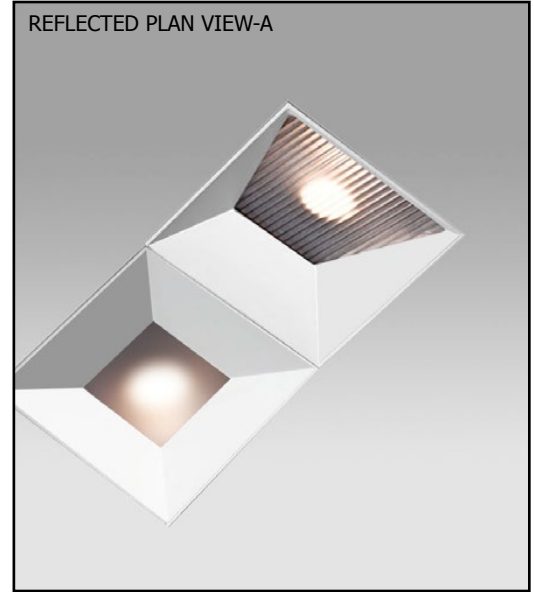
JOB: _____

SPECIFIER: _____

TYPE: _____

QUANTITY: _____

SIGNATURE: _____



ORDERING INFORMATION

1240AW-2LED-AD-AUH	CRI / COLOR TEMP	TRIM	SOURCE / DRIVER	TRIM FINISH	DOWN / WW APERTURE LENS
			AD14 /		/ 82A
AWA = Side WW AWB = Right WW AWC = Left WW	Universal Housing Ambient Dimming LED *CCT Max 3000K-1900K	ZT =Zero Trim PT =Panel Trim** **WXX only	AD14 = 350ma, 14.5W, 1000lm S1 =0-10V dimming, 1%, 120-277v T1 =TRIAC/ELV 2-wire, 3% 120v (Lead/Trail Edge) E1 =EldoLED 0-10V Logarithmic Dim, 0.1%, 120-277v E2 =EldoLED DALI, 0.1%, 120-277v E3 =EldoLED 0-10V Linear Dim, 0.1%, 120-277v L2 =Ltrn Hi-lume 1% 2-wr LED driver (120v fwd phase) L3 =Lutron Hi-lume 1% 3-wire/EcoSystem, 120-277v LTB =Lutron Hi-lume 1% EcoSys LED driver, 1%, 120-277v, Soft-on, Fade-to-Black	P14 = White BLK =Black PXX = SLI Color WXX = Wood XXXX = RAL # CST = Custom	82A = Frosted Supertex 91A = Solite 92A = Supertex 93A = Frosted 95A = Full Prismatic



Patent Pending.
 These specifications subject to change without notice.

www.specialtylightingindustries.com
 1306 Doris Avenue, Ocean, NJ 07712 USA
 800.462.7812 732.517.0800 FAX:732.517.0971