

Single lamp, low-voltage halogen, recessed accent light, nominal 4" (100mm) diameter trim with 3" square aperture and optional glass diffuser. Accent and down-lighting in low to medium ceiling heights typically found in residential, commercial and retail applications. Suitable for new or existing construction in sheetrock ceilings.

SPECIFICATIONS

HOUSING

- Precision die-formed heavy gauge aluminum

MOUNTING

- Install from below into sheetrock ceiling

ELECTRICAL

- Integral dimmable electronic or toroidal magnetic transformer
- 120v primary lead, (220v, 240v, 277v available), 11.75v secondary with overload protection
- External thermoprotector

LAMP

- MR-16, 50w max. supplied by others

SOCKET

- Precision die-formed aluminum yoke with CNC machined lampholder assembly
- G4/G6 ceramic socket with high temperature, teflon coated lead wires

LENS

- Clear pyrex safety lens
- Optional borosilicate lenses available for lampholder and aperture


TRIM

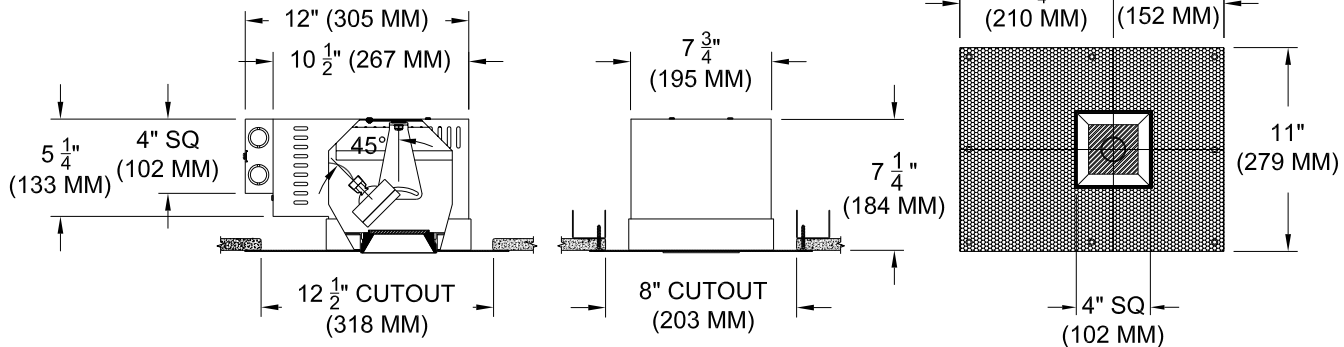
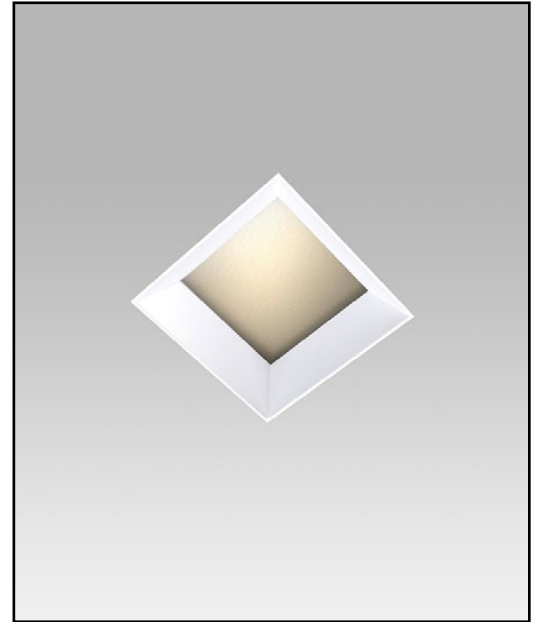
- Flanged or flangeless, one piece die-cast aluminum pyramidal shield
- ST is flanged trim fully sealed and gasketed. Aperture lens required

FINISH

- Black powder paint housing
- Aperture trim available in black and white as standard
- Additional standard colors, RAL palette, custom finishes available

LABELS

-  , US tested to UL standards 1598, Damp location, Wet with ST trim,



ORDERING INFORMATION

MODEL	TRIM	TRANSFORMER	LENS HOLDER	LAMP LENS	TRIM FINISH	APERTURE LENS
1017-MR16-PH						
Plaster Housing	FT =Flanged Trim ST =Shower Trim* ZT =Zero Trim *Aperture lens required	TX =Magnetic / 120v* EX =Electronic / 220v EXS =Elect. SORAA RX =Remote / 240v 277v *Standard 120v	CL =Conical FL =Flat IL =Indexed* *92L Only	90L = Clear-Standard 91L = Solite 92L = Supertex 93L = Frosted 97L = Black Hexcell 98L = UV	P14 = White BLK =Black PXX = SLI Color WXX = Wood XXXX = RAL # CST = Custom	Blank = None 91A = Solite 92A = Supertex 93A = Frosted 95A = Full Prismatic



Patent Pending.
 These specifications subject to change without notice.

www.specialtylightingindustries.com
 1306 Doris Avenue, Ocean, NJ 07712 USA
 800.462.7812 732.517.0800 FAX:732.517.0971