

Single lamp, low-voltage halogen, recessed accent light, nominal 4" (100mm) diameter trim with 3" square aperture and optional glass diffuser. Accent and down-lighting in low to medium ceiling heights typically found in residential, commercial and retail applications. Suitable for new construction.

## SPECIFICATIONS

### HOUSING

- Precision die-formed heavy gauge aluminum with flangeless trim and integrated screed edge
- Airtight construction suitable for direct contact with insulation

### MOUNTING

- Recessed in architectural ceiling

### ELECTRICAL

- Integral dimmable electronic or toroidal magnetic transformer
- 120v primary lead, (220v, 240v, 277v available), 11.75v secondary with overload protection
- External thermoprotector

### LAMP

- MR-16, 50w max. supplied by others

### SOCKET

- Precision die-formed aluminum yoke with CNC machined lampholder assembly
- G4/G6 ceramic socket with high temperature, teflon coated lead wires

### LENS

- Clear pyrex safety lens
- Optional borosilicate lenses available for lampholder and aperture


### TRIM

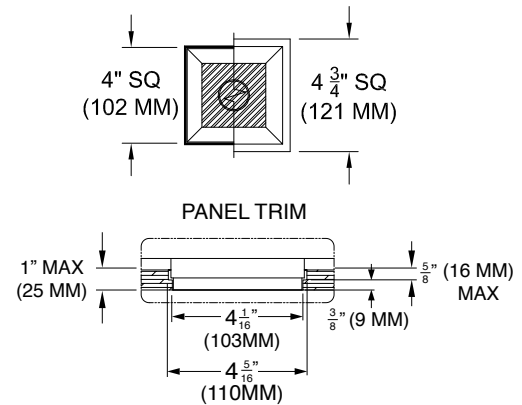
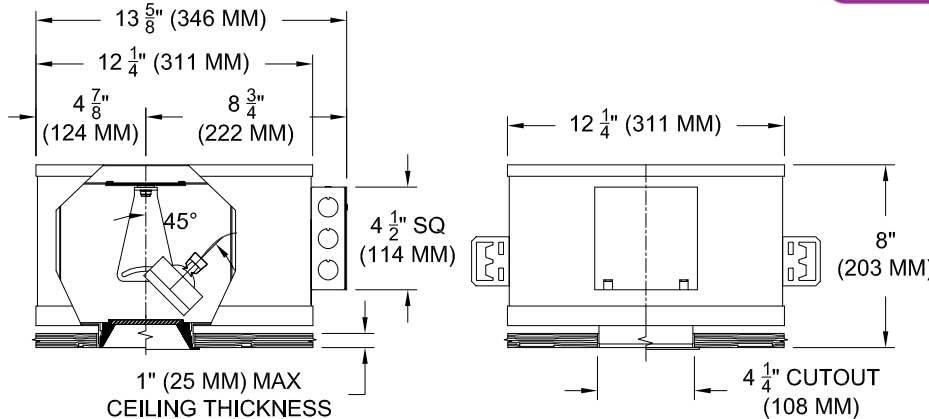
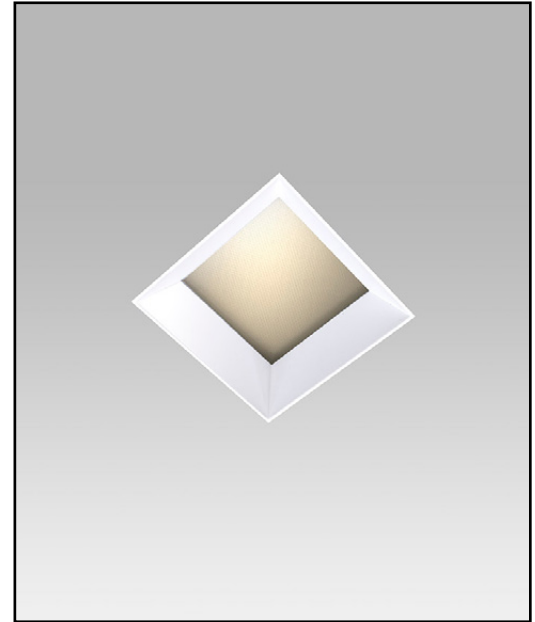
- Flanged or flangeless, one piece die-cast aluminum pyramidal shield

### FINISH

- Black powder paint housing
- Aperture trim available in black and white as standard
- Additional standard colors, RAL palette, custom finishes available

### LABELS

-  , US tested to UL standards 1598, Damp location, Wet with ST trim, IC/Airtight,



## ORDERING INFORMATION

| MODEL                      | TRIM   | TRANSFORMER   | LENS HOLDER   | LAMP LENS  | FINISH   | APERTURE LENS  |
|----------------------------|--|---|---|--|--|--|
| 1017-MR16-AUH              |  |   |   |  |  |  |
| Airtight Universal Housing | <b>FT</b> =Flanged Trim<br><b>PT</b> =Panel Trim**<br><b>ST</b> =Shower Trim*<br><b>ZT</b> =Zero Trim<br>**WXX only<br>*Aperture lens required | <b>TX</b> =Magnetic / 120v<br><b>EX</b> =Electronic / 220v<br><b>EXS</b> =Elect. SORAA*<br><b>RX</b> =Remote / 240v<br>277v<br>*Standard 120v | <b>CL</b> =Conical<br><b>FL</b> =Flat<br><b>IL</b> =Indexed*<br>*92L Only | <b>90L</b> = Clear-Standard<br><b>91L</b> = Solite<br><b>92L</b> = Supertex<br><b>93L</b> = Frosted<br><b>97L</b> = Black Hexcell<br><b>98L</b> = UV | <b>P14</b> = White<br><b>BLK</b> =Black<br><b>PXX</b> = SLI Color<br><b>WXX</b> = Wood<br><b>XXXX</b> = RAL #<br><b>CST</b> = Custom | <b>Blank</b> = None<br><b>91A</b> = Solite<br><b>92A</b> = Supertex<br><b>93A</b> = Frosted<br><b>95A</b> = Full Prismatic |



Patent Pending.  
These specifications subject to change without notice.

[www.specialtylightingindustries.com](http://www.specialtylightingindustries.com)  
 1306 Doris Avenue, Ocean, NJ 07712 USA  
 800.462.7812 732.517.0800 FAX:732.517.0971