

Triple lamp, solid state light engine, recessed accent light with nominal 4"x 13.5" (100mm x 343mm) rectangular trim and optional glass diffuser. Accent and downlighting in medium to high ceiling heights typically found in residential, commercial and retail applications. Suitable for new or existing construction in sheetrock ceilings

**JOB:** \_\_\_\_\_  
**SPECIFIER:** \_\_\_\_\_  
**TYPE:** \_\_\_\_\_  
**QUANTITY:** \_\_\_\_\_  
**SIGNATURE:** \_\_\_\_\_

**SPECIFICATIONS**

**HOUSING**

- Precision die-formed heavy gauge aluminum
- ≈ Airtight construction suitable for direct contact with insulation

**MOUNTING**

- Install from below in sheetrock ceiling

**ELECTRICAL**

- Integral dimmable electronic driver with internal short circuit protection

**LAMP**

- (3) Citizen LEDs supplied with fixture

**SOCKET**

- Precision aluminum yoke with CNC machined lampholder assembly

**LENS**

- Interchangeable reflector provides multiple beam patterns
- Optional borosilicate lenses available for aperture


**TRIM**

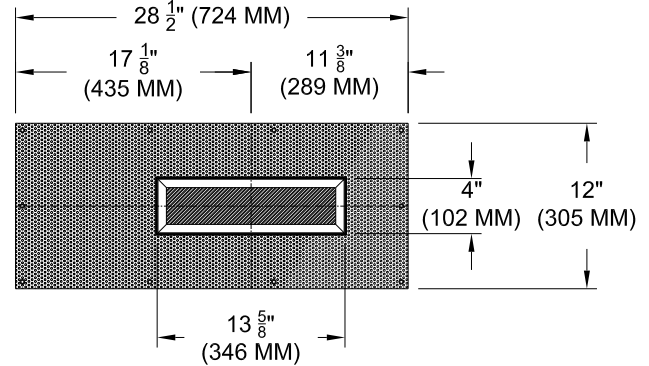
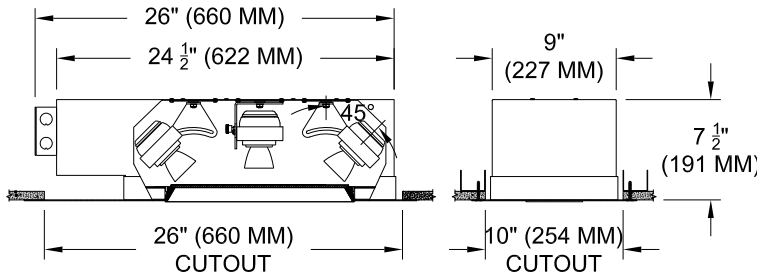
- Flanged or flangeless, one piece die-cast aluminum pyramidal shield
- ST is flanged trim fully sealed and gasketed. Aperture lens required

**FINISH**

- Black powder paint housing
- Aperture trim available in black and white as standard
- Solid wood, additional colors, RAL palette, custom finishes available

**LABELS**

-  , US tested to UL standards 1598, Damp location, Wet with ST trim, IC/Airtight, Chicago Plenum



**ORDERING INFORMATION**

1017-3LEDZ-APH	TRIM	SOURCE / DRIVER	BEAMSPREAD	TRIM FINISH	APERTURE LENS	ACCESSORIES
		/				
Airtight Plaster Housing <b>9</b> = 90+CRI <b>27</b> = 2700K <b>30</b> = 3000K <b>35</b> = 3500K <b>40</b> = 4000K	<b>FT</b> =Flanged Trim <b>ST</b> =Shower Trim* <b>ZT</b> =Zero Trim *Aperture lens required	<b>CZ14</b> =120-277v, 14W 1100lm <b>CZ20</b> =120-277v, 20W 1650lm <b>CZ28</b> =120-277v, 28W 2200lm <b>S1</b> =0-10V dimming, 1%, 120-277v <b>T1</b> =TRIAC/ELV 2-wire, 3% 120v (Lead/Trail Edge) <b>E1</b> =EldoLED 0-10V Logarithmic Dim, 0.1%, 120-277v <b>E2</b> =EldoLED DALI, 0.1%, 120-277v <b>E3</b> =EldoLED 0-10V Linear Dim, 0.1%, 120-277v <b>L2</b> =Ltrn Hi-lume 1% 2-wr LED driver (120v fwr phase) <b>L3</b> =Lutron Hi-lume 1% 3-wire/EcoSystem, 120-277v <b>LTB</b> =Lutron Hi-lume 1% EcoSys LED driver, 1%, 120-277v, Soft-on, Fade-to-Black	<b>15</b> = 15 Degrees <b>24</b> = 24 Degrees <b>38</b> = 38 Degrees <b>60</b> = 60 Degrees	<b>P14</b> = White <b>BLK</b> =Black <b>PXX</b> = SLI Color <b>WXX</b> = Wood <b>XXXX</b> = RAL # <b>CST</b> = Custom	<b>Blank</b> = None <b>90A</b> = Clear <b>91A</b> = Solite <b>92A</b> = Supertex <b>93A</b> = Frosted	<b>CP</b> =Chicago Plenum

Lutron Only- 2 circuit box required / Request separate cutsheet

Patent Pending. These specifications subject to change without notice.

**www.specialtylightingindustries.com**  
 1306 Doris Avenue, Ocean, NJ 07712 USA  
 800.462.7812 732.517.0800 FAX:732.517.0971

