

Single lamp, low-voltage halogen, shallow housing recessed accent light with nominal 4" square aperture. General downlighting in low to medium ceiling heights typically found in residential, commercial and retail applications. Suitable for new or existing construction or in ceilings with limited recessing depth.

JOB: _____

SPECIFIER: _____

TYPE: _____

QUANTITY: _____

SIGNATURE: _____

SPECIFICATIONS

HOUSING

- Precision die-formed heavy gauge aluminum with perforated flangeless trim and integrated screed edge

MOUNTING

- Install from below in sheetrock ceiling

ELECTRICAL

- Remote transformer required - sold separately
- Transformer should be sized for the run length
- External thermoprotector

LAMP

- MR-16, 50w max. supplied by others

SOCKET

- Precision die-formed aluminum socket plate
- G4/G6 ceramic socket with high temperature, teflon coated lead wires

LENS

- Clear pyrex safety lens. Optional borosilicate lenses available for lampholder and aperture


TRIM

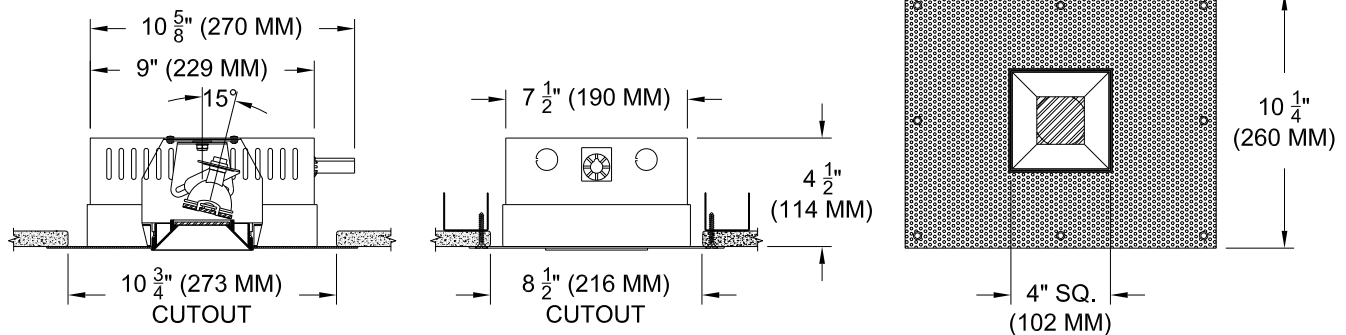
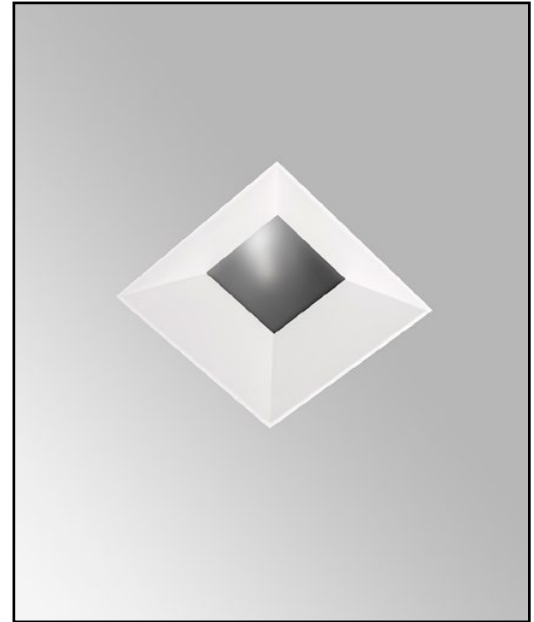
- Flanged or flangeless, one piece die-cast aluminum pyramidal shield
- ST trim fully sealed and gasketed

FINISH

- Black powder paint housing
- Aperture trim available in black and white as standard
- Solid wood, additional colors, RAL palette, custom finishes available

LABELS

-  , US tested to UL standards 1598, Damp location, Wet with ST trim



ORDERING INFORMATION

MODEL	TRIM	TRANSFORMER	LAMP LENS	FINISH	APERTURE LENS
1009-MR16-TPH					
Thin Plaster Housing	FT =Flange Trim ST =Shower Trim* ZT =Zero Trim *Aperture lens required	RX =Remote / 120v / 277v	90L = Clear 91L = Solite 92L = Supertex 93L = Frosted 97L = Black Hexcell 98L =UV	P14 = White BLK =Black PXX = SLI Color WXX = Wood XXXX = RAL # CST = Custom	Blank = None 91A = Solite 92A = Supertex 93A = Frosted 95A = Full Prismatic



Patent Pending.
 These specifications subject to change without notice.

www.specialtylightingindustries.com
 1306 Doris Avenue, Ocean, NJ 07712 USA
 800.462.7812 732.517.0800 FAX:732.517.0971