

Single lamp, low-voltage halogen, recessed accent light, nominal 4"(102mm) square aperture. Accent and downlighting in low to medium ceiling heights typically found in residential, commercial and retail applications. Suitable for new construction

SPECIFICATIONS

HOUSING

- Extruded aluminum with bolt on end plates and integral plaster flange

MOUNTING

- Recessed in architectural ceiling

ELECTRICAL

- Integral dimmable electronic or toroidal magnetic transformer
- 120v primary lead, (220v, 240v, 277v available), 11.75v secondary with overload protection
- External thermoprotector

LAMP

- MR-16, 50w max. supplied by others

SOCKET

- Precision die-formed aluminum yoke with CNC machined lampholder assembly


LENS

- Clear pyrex safety lens
- Optional borosilicate lenses available for lampholder

FINISH

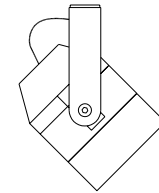
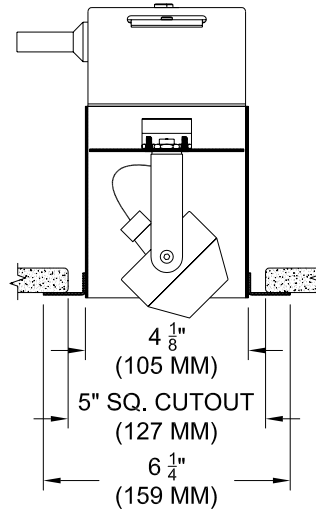
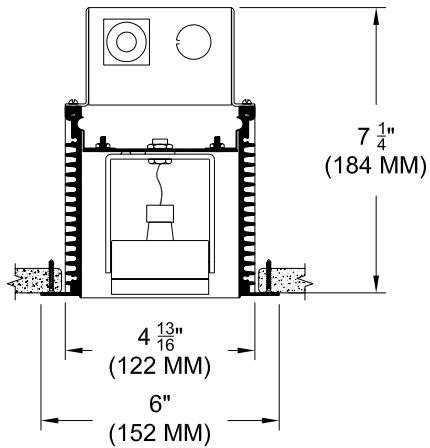
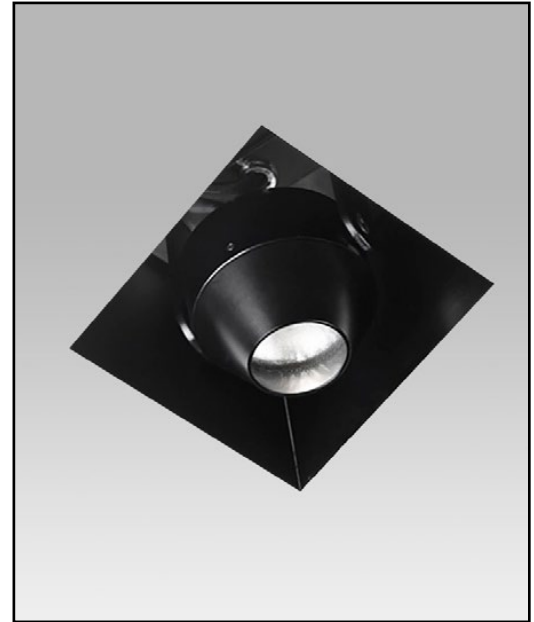
- Powder paint on all surfaces in black and white as standard
- Additional colors and RAL paalette available
- Consult factory for custom finishes

LABELS

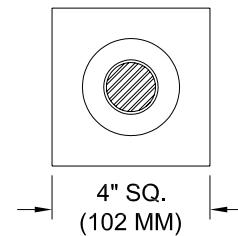
-  , US tested to UL standards 1598, Damp location,



JOB: _____
SPECIFIER: _____
TYPE: _____
QUANTITY: _____
SIGNATURE: _____



TUBULAR LENS HOLDER
W/BACK SHIELD



ORDERING INFORMATION

MODEL	TRANSFORMER	LENS HOLDER	LAMP LENS	FINISH	APERTURE LENS
1005-MR16-PH	/				
Plaster Flange Housing	TX =Magnetic / 120v EX =Electronic / 220v** EXS =Elect. SORAA* RX =Remote / 240v 277v **EX image shown above *Standard 120v	CL =Conical FL =Flat IL =Indexed* TL =Tubular *92L Only	90L = Clear 91L = Solite 92L = Supertex 93L = Frosted 95L = Full Prismatic 97L = Black Hexcell 98L = UV	P14 = White BLK =Black PXX = SLI Color XXXX = RAL # CST = Custom	BS = Back Shield PD = Pull Down Yoke



Patent Pending.
 These specifications subject to change without notice.

www.specialtylightingindustries.com
 1306 Doris Avenue, Ocean, NJ 07712 USA
 800.462.7812 732.517.0800 FAX:732.517.0971