

Single lamp, solid state light engine, recessed accent light with nominal 6" (152mm) square aperture. Accent and downlighting in low to medium ceiling heights typically found in residential, commercial and retail applications. Suitable for new or existing construction in sheetrock ceiling.

## SPECIFICATIONS

### HOUSING

- Extruded aluminum with bolt on end plates and integral plaster flange

### MOUNTING

- Install from below into sheetrock ceiling

### ELECTRICAL

- Integral dimmable electronic driver with internal short circuit protection

### LAMP

- Citizen LED supplied with fixture

### SOCKET

- Precision aluminum yoke with CNC machined lampholder assembly

### LENS

- Interchangeable reflector provides multiple beam patterns
- Solite, Veiling Acrylic available as standard. For more options, consult factory

### TRIM

- Flangeless housing

### FINISH

- Powder paint on all surfaces in black and white as standard
- Additional colors and RAL palette available
- Consult factory for custom finishes

### LABELS

-  , US tested to UL standards 1598, Damp location

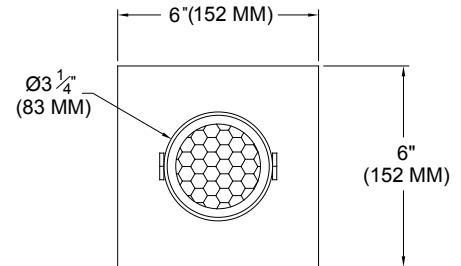
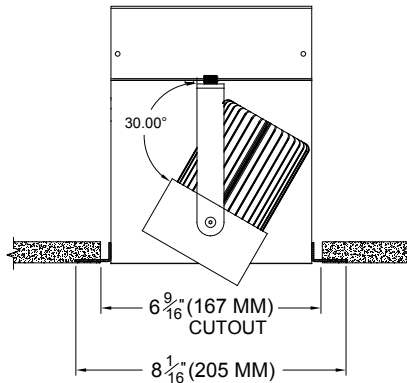
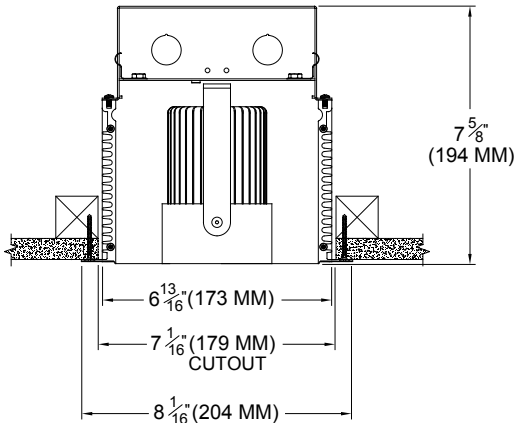
**JOB:** \_\_\_\_\_

**SPECIFIER:** \_\_\_\_\_

**TYPE:** \_\_\_\_\_

**QUANTITY:** \_\_\_\_\_

**SIGNATURE:** \_\_\_\_\_



## ORDERING INFORMATION

1005-LEDZ-PH-VHO	SOURCE / DRIVER	BEAMSPREAD	FINISH	LAMP LENS	ACCESSORIES
	/				
Plaster Housing 9 = 90+CRI 27 = 2700K 30 = 3000K 35 = 3500K 40 = 4000K	<b>CZ14</b> = 120-277v, 14W 1450lm <b>CZ20</b> = 120-277v, 20W 2000lm <b>CZ28*</b> = 120-277v, 28W 2675lm C1 =0-10V dimming, 1%, 120-277v C2 =TRIAC/ELV 2-wire, 1% 120v (Lead/Trail Edge) E1 =EldoLED 0-10V Logarithmic Dim, 0.1%, 120-277v E2 =EldoLED DALI, 0.1%, 120-277v E3 =EldoLED 0-10V Linear Dim, 0.1%, 120-277v L2 =Ltrm Hi-lume 1% 2-wr LED driver (120v fwr phase) LTB =Lutron Hi-lume 1% EcoSys LED driver, 1%, 120-277v, Soft-on, Fade-to-Black	<b>10</b> = 10 Degrees <b>20</b> = 20 Degrees <b>30</b> = 30 Degrees	<b>P14</b> = White <b>BLK</b> =Black <b>ANA</b> = Clear Aluminum <b>XXXX</b> = RAL# <b>CST</b> = Custom	<b>Blank</b> = None <b>79A</b> =Veiling Acrylic <b>91A</b> = Solite <b>93A</b> = Frosted	<b>97L</b> = Black Hexcell

\*Contact Factory to request separate cutsheet