

Single lamp, solid state light engine, recessed, flanged accent light with nominal 6" (152mm) square aperture. Accent and downlighting in low to medium ceiling heights typically found in residential, commercial and retail applications. Suitable for new construction.

SPECIFICATIONS

HOUSING

- Extruded aluminum with bolt on end plates and integral flange

MOUNTING

- Recessed in architectural ceiling

ELECTRICAL

- Integral dimmable electronic driver with internal short circuit protection
- 120v-277v primary, compatible with 0-10v dimmers
- Available for 120v phase control (ELV)

LAMP

- Citizen LED supplied with fixture

SOCKET

- Precision aluminum yoke with CNC machined lampholder assembly

LENS

- Solite, and Veiling Acrylic available as standard. For more options, consult factory

TRIM

- Flanged housing

FINISH

- Powder paint on all surfaces in black and white as standard
- Additional colors and RAL palette available
- Consult factory for custom finishes

LABELS

-  , US tested to UL standards 1598, Damp location

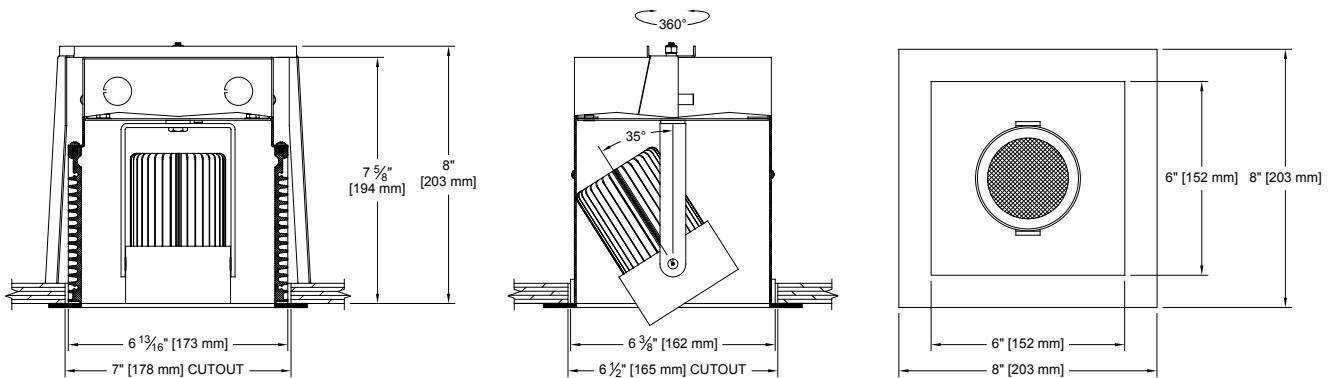
JOB: _____

SPECIFIER: _____

TYPE: _____

QUANTITY: _____

SIGNATURE: _____



ORDERING INFORMATION

1005-LEDZ-FH-VHO	SOURCE / DRIVER	BEAMSPREAD	TRIM / FINISH	LAMP LENS	ACCESSORIES
	/		/		
Flanged Housing 9 = 90+CRI 27 = 2700K 30 = 3000K 35 = 3500K 40 = 4000K	CZ14 =120-277v, 14W 1450lm CZ20 =120-277v, 20W 2000lm CZ28* =120-277v, 28W 2675lm C1 =0-10V dimming, 1%, 120-277v C2 =TRIAC/ELV 2-wire, 1% 120v (Lead/Trail Edge) E1 =EldoLED 0-10V Logarithmic Dim, 0.1%, 120-277v E2 =EldoLED DALI, 0.1%, 120-277v E3 =EldoLED 0-10V Linear Dim, 0.1%, 120-277v L2 =Lutron Hi-lume 1% 2-wire LED driver (120v forward phase) LTB =Lutron Hi-lume 1% EcoSys LED driver, 1%, 120-277v, Soft-on, Fade-to-Black	10 = 10 Degrees 20 = 20 Degrees 30 = 30 Degrees	P14 = White BLK =Black ANA = Clear Aluminum CST = Custom	Blank = None 79A =Veiling Acrylic 91A = Solite 93A = Frosted	97L = Black Hexcell

*Contact Factory to request separate cutsheet