

Single lamp, solid state light engine, recessed accent light with nominal 6" (152mm) square aperture. Accent and downlighting in low to medium ceiling heights typically found in residential, commercial and retail applications. Suitable for new or existing construction in sheetrock ceiling.

## SPECIFICATIONS

### HOUSING

- Extruded aluminum with bolt on end plates and integral plaster flange

### MOUNTING

- Install from below in sheetrock ceiling

### ELECTRICAL

- Integral dimmable electronic driver with internal short circuit protection

### LAMP

- Xicato LED supplied with fixture

### SOCKET

- Precision aluminum yoke with CNC machined lampholder assembly


### LENS

- Solite, Supertex, Frosted, Opal available. For more options, consult factory

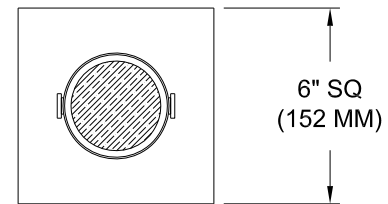
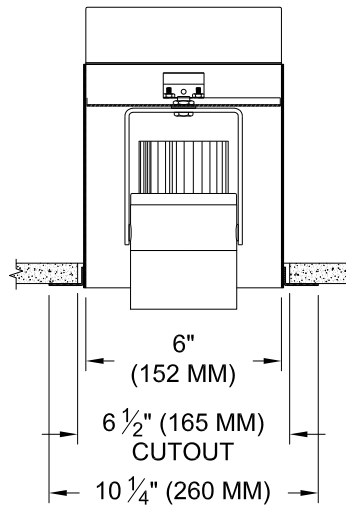
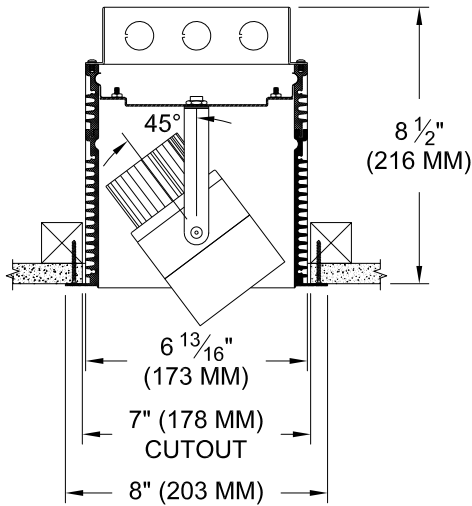
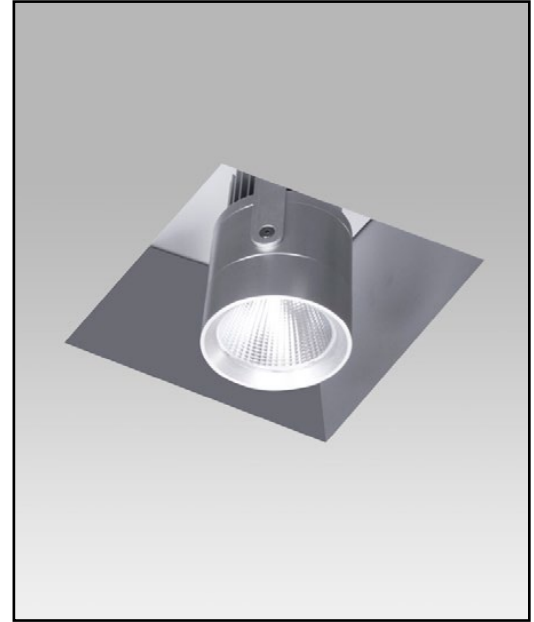
### FINISH

- Powder paint on all surfaces in black and white as standard
- Additional colors and RAL palette available
- Consult factory for custom finishes

### LABELS

-  , US tested to UL standards 1598, Damp location

**JOB:** \_\_\_\_\_  
**SPECIFIER:** \_\_\_\_\_  
**TYPE:** \_\_\_\_\_  
**QUANTITY:** \_\_\_\_\_  
**SIGNATURE:** \_\_\_\_\_



## ORDERING INFORMATION

| 1005-LEDX-PH  | SOURCE / DRIVER  | BEAMSPREAD   | FINISH   | LAMP LENS  | ACCESSORIES                |
|---|--|--|--|--|----------------------------|
|   | /  |  |  |  |                            |
| Plaster Housing<br>8 = 80CRI 27 = 2700K<br>9 = 98CRI 30 = 3000K<br>35 = 3500K<br>40 = 4000K | <b>XT8</b> = 120v-277v, 8W 800lm<br><b>XT12</b> = 120v-277v, 12W 1055lm<br><b>XT17</b> = 120v-277v, 17W 1400lm<br><b>XT26</b> = 120v-277v, 26W 2000lm<br><hr/> <b>S1</b> = 0-10V dimming, 1%, 120-277v<br><b>T1</b> = TRIAC/ELV 2-wire, 3% 120v (Lead/Trail Edge)<br><b>E1</b> = EldoLED 0-10V Logarithmic Dim, 0.1%, 120-277v<br><b>E2</b> = EldoLED DALI, 0.1%, 120-277v<br><b>E3</b> = EldoLED 0-10V Linear Dim, 0.1%, 120-277v<br><b>L2</b> = Ltrn Hi-lume 1% 2-wr LED driver (120v fwd phase)<br><b>L3</b> = Lutron Hi-lume 1% 3-wire/EcoSystem, 120-277v<br><b>LTB</b> = Lutron Hi-lume 1% EcoSys LED driver, 1%, 120-277v, Soft-on, Fade-to-Black | <b>20</b> = 20 Degrees<br><b>30</b> = 30 Degrees<br><b>40</b> = 40 Degrees | <b>P14</b> = White<br><b>BLK</b> = Black<br><b>ANA</b> = Clear Aluminum<br><b>XXXX</b> = RAL#<br><b>CST</b> = Custom | <b>Blank</b> = None<br><b>79A</b> = Veiling Acrylic<br><b>91A</b> = Solite<br><b>93A</b> = Frosted | <b>97L</b> = Black Hexcell |

Driver specs based on 98 CRI. [Click to View 80 CRI driver specs](#)



Patent Pending.  
 These specifications subject to change without notice.

**www.specialtylightingindustries.com**  
 1306 Doris Avenue, Ocean, NJ 07712 USA  
 800.462.7812 732.517.0800 FAX: 732.517.0971