

Single lamp, solid state light engine, recessed accent light with nominal 4.5" (114mm) square aperture. Accent and downlighting in low to medium ceiling heights typically found in residential, commercial and retail applications. Suitable for new or existing construction in sheetrock ceilings. AmbientDim™ provides Superior CRI at all dimming levels.

SPECIFICATIONS

HOUSING

- Extruded aluminum with bolt on end plates and integral plaster flange
- ✧ Airtight construction suitable for direct contact with insulation

MOUNTING

- Install from below in sheetrock ceiling

ELECTRICAL

- Integral dimmable electronic driver with internal short circuit protection

LAMP

- AmbientDim™ LED supplied with fixture

SOCKET

- Precision aluminum yoke with CNC machined lampholder assembly


LENS


- Solite, Veiling Acrylic available as standard. For more options, consult factory

FINISH

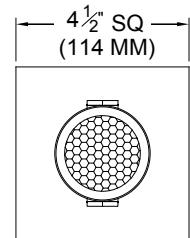
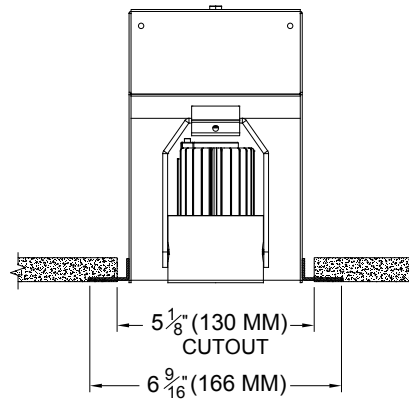
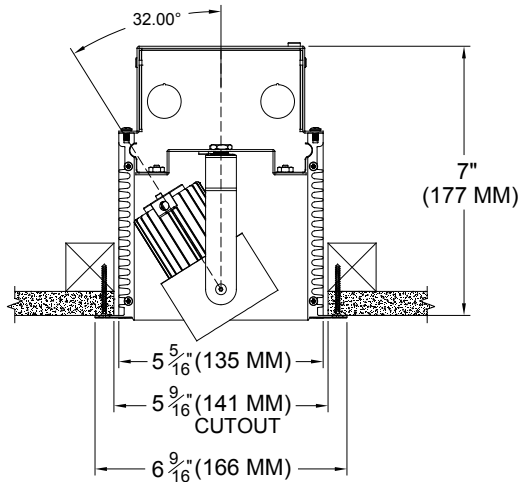
- Powder paint on all surfaces in black and white as standard
- Additional colors and RAL palette available
- Consult factory for custom finishes

LABELS

-  US, US tested to UL standards 1598, Damp location, IC/Airtight, Chicago Plenum,

 JA8 Approved





ORDERING INFORMATION

1005-LED-AD-APH	SOURCE / DRIVER	BEAMSPREAD	FINISH	LAMP LENS	ACCESSORIES
	AD14 /				/
Airtight Plaster Housing Ambient Dimming LED *CCT Max 3000K-1900K	<ul style="list-style-type: none"> • AD14=350ma, 14.5W, 1000lm • C1 =0-10V dimming, 1%, 120-277v • C2 =TRIAC/ELV 2-wire, 1% 120v (Lead/Trail Edge) • E1 =EldoLED 0-10V Logarithmic Dim, 0.1%, 120-277v • E2 =EldoLED DALI, 0.1%, 120-277v • E3 =EldoLED 0-10V Linear Dim, 0.1%, 120-277v • L2 =Ltrn Hi-lume 1% 2-wr LED driver (120v fwd phase) • LTB =Lutron Hi-lume 1% EcoSys LED driver, 1%, 120-277v, Soft-on, Fade-to-Black 	15 = 15 Degrees 24 = 24 Degrees 38 = 38 Degrees	P14 = White BLK =Black ANA = Clear Aluminum XXXX = RAL# CST = Custom	Blank = None 79A = Veiling Acrylic 91A = Solite 93A = Frosted	97L = Black Hexcell <hr/> CP =Chicago Plenum

• California Title 24- JA8 Approved