

Triple lamp, low-voltage halogen, recessed, open slot accent light with nominal 4" x 12" rectilinear aperture. Accent and downlighting in low to medium ceiling heights typically found in residential, commercial and retail applications. Suitable for new or existing construction in sheetrock ceilings

SPECIFICATIONS

HOUSING

- Extruded aluminum with bolt on end plates and integral plaster flange

MOUNTING

- Recessed in sheetrock ceiling

ELECTRICAL

- Integral dimmable electronic or toroidal magnetic transformer
- 120v primary lead, (220v, 240v, 277v available), 11.75v secondary with overload protection
- External thermoprotector

LAMP

- (3) MR-16, 50w max. supplied by others

SOCKET

- Precision die-formed aluminum yoke with CNC machined lampholder assembly



LENS

- Clear pyrex safety lens
- Optional borosilicate lenses available for lampholder

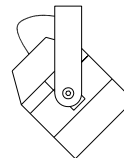
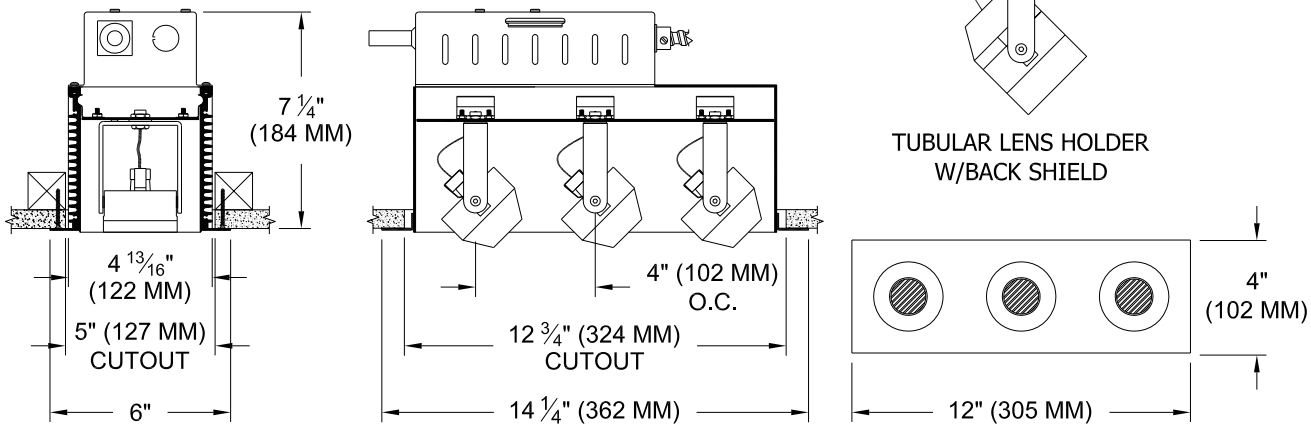
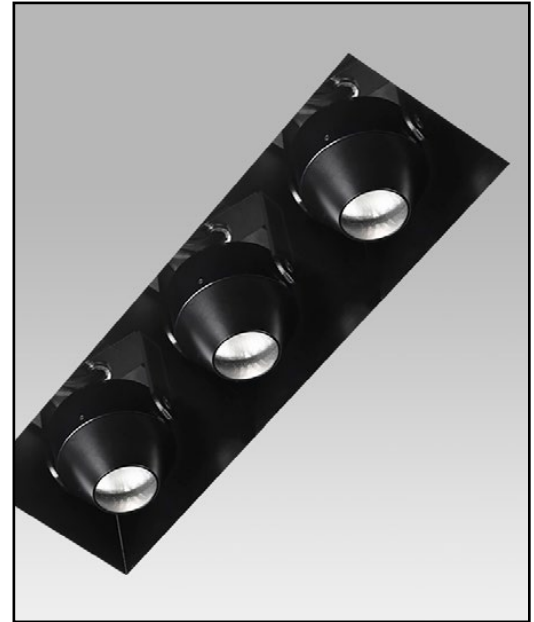
FINISH

- Powder paint on all surfaces in black and white as standard
- Additional colors and RAL paalette available
- Consult factory for custom finishes

LABELS

-  US tested to UL standards 1598, Damp location, 

JOB: _____
 SPECIFIER: _____
 TYPE: _____
 QUANTITY: _____
 SIGNATURE: _____



TUBULAR LENS HOLDER
W/BACK SHIELD

ORDERING INFORMATION

MODEL	TRANSFORMER	LENS HOLDER	LAMP LENS	FINISH	APERTURE LENS
1005-3MR16-PH	/				
Plaster Flange Housing	TX =Magnetic / 120v EX =Electronic / 220v** EXS =Elect. SORAA* RX =Remote / 240v 277v **EX image shown above *Standard 120v	CL =Conical FL =Flat IL =Indexed* TL =Tubular *92L Only	90L = Clear 91L = Solite 92L = Supertex 93L = Frosted 95L = Full Prismatic 97L = Black Hexcell 98L = UV	P14 = White BLK =Black PXX = SLI Color XXXX = RAL # CST = Custom	BS = Back Shield PD = Pull Down Yoke



Patent Pending.
 These specifications subject to change without notice.

www.specialtylightingindustries.com
 1306 Doris Avenue, Ocean, NJ 07712 USA
 800.462.7812 732.517.0800 FAX:732.517.0971