

Triple lamp, solid state light engine, recessed, open slot accent light with nominal 6" x 18" (152mmx457mm) rectangular aperture. Accent and downlighting in low to medium ceiling heights typically found in residential, commercial and retail applications. Suitable for new or existing construction in sheetrock ceilings

## SPECIFICATIONS

### HOUSING

- Extruded aluminum with bolt on end plates and integral plaster flange

### MOUNTING

- Install from below in sheetrock ceiling

### ELECTRICAL

- Integral dimmable electronic driver with internal short circuit protection

### LAMP

- (3) Citizen LEDs supplied with fixture

### SOCKET

- Precision aluminum yoke with CNC machined lampholder assembly

### LENS

- Interchangeable reflector provides multiple beam patterns
- Solite, Veiling Acrylic available as standard. For more options, consult factory


### TRIM

- Flangeless housing

### FINISH

- Powder paint on all surfaces in black and white as standard
- Additional colors and RAL palette available
- Consult factory for custom finishes

### LABELS

-  , US tested to UL standards 1598, Damp location

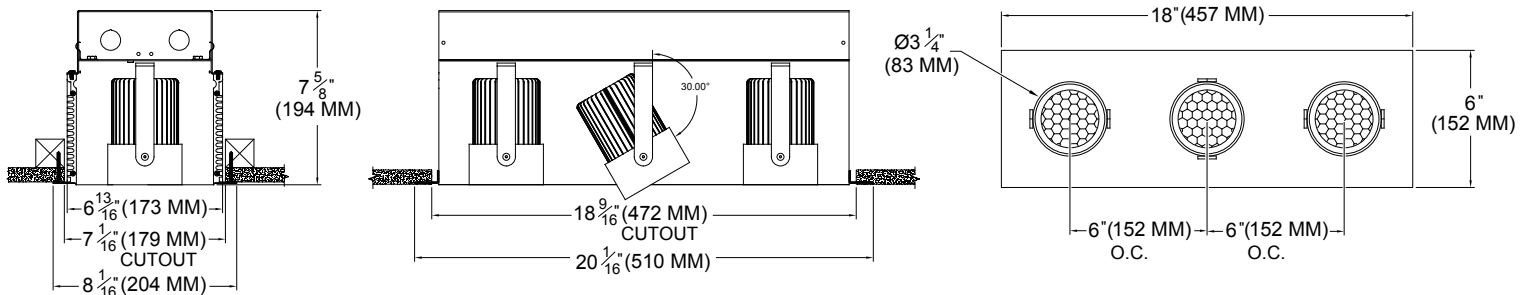
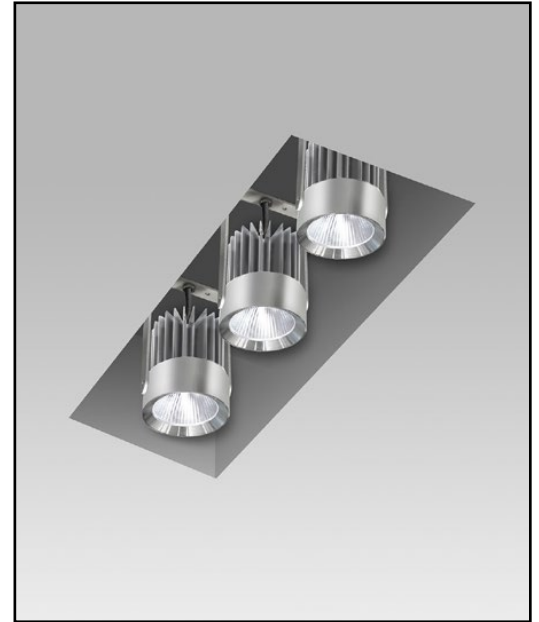
JOB: \_\_\_\_\_

SPECIFIER: \_\_\_\_\_

TYPE: \_\_\_\_\_

QUANTITY: \_\_\_\_\_

SIGNATURE: \_\_\_\_\_



## ORDERING INFORMATION

1005-3LEDZ-PH-VHO	SOURCE / DRIVER	BEAMSPREAD	FINISH	LAMP LENS	ACCESSORIES
	/				
Plaster Housing 9 = 90+CRI 27 = 2700K 30 = 3000K 35 = 3500K 40 = 4000K	<b>CZ14</b> =120-277v, 14W 1450lm <b>CZ20</b> =120-277v, 20W 2000lm <b>CZ28*</b> =120-277v, 28W 2675lm  C1 =0-10V dimming, 1%, 120-277v C2 =TRIAC/ELV 2-wire, 1% 120v (Lead/Trail Edge) E1 =EldoLED 0-10V Logarithmic Dim, 0.1%, 120-277v E2 =EldoLED DALI, 0.1%, 120-277v E3 =EldoLED 0-10V Linear Dim, 0.1%, 120-277v L2 =Ltm Hi-lume 1% 2-wr LED driver (120v fwd phase) LTB =Lutron Hi-lume 1% EcoSys LED driver, 1%, 120-277v, Soft-on, Fade-to-Black	<b>10</b> = 10 Degrees <b>20</b> = 20 Degrees <b>30</b> = 30 Degrees	<b>P14</b> = White <b>BLK</b> =Black <b>ANA</b> = Clear Aluminum <b>XXXX</b> = RAL# <b>CST</b> = Custom	<b>Blank</b> = None <b>79A</b> =Veiling Acrylic <b>91A</b> = Solite <b>93A</b> = Frosted	<b>97L</b> = Black Hexcell

\*Contact Factory to request separate cutsheet