

Multi-lamp, low-voltage halogen, recessed accent light, nominal 4"(100mm) diameter conical trim, 2" aperture and optional glass diffuser. Accent and downlighting in low to medium ceiling heights typically found in residential, commercial and retail applications. Suitable for new construction.

**SPECIFICATIONS**

**HOUSING**

- Precision die-formed heavy gauge aluminum with machined adjustable ceiling collar

**MOUNTING**

- Recessed in architectural ceiling

**ELECTRICAL**

- Integral dimmable electronic or toroidal magnetic transformer
- 120v primary lead, (220v, 240v, 277v available), 11.75v secondary with overload protection
- External thermoprotector

**LAMP**

- (2) MR-16s, 50w max. each or (3) MR-16s max. each, supplied by others

**SOCKET**

- Precision die-formed aluminum yoke with CNC machined lampholder assembly
- G4/G6 ceramic socket with high temperature, teflon coated lead wires

**LENS**

- Clear pyrex safety lens
- Optional borosilicate lenses available for lampholder and aperture


**TRIM**

- Flanged or flangeless, die-cast aluminum conical shield with round aperture
- ST trim fully sealed and gasketed

**FINISH**

- Black powder paint housing
- Aperture trim available in black and white as standard
- Solid wood, additional colors, RAL palette, custom finishes available

**LABELS**

-  , US tested to UL standards 1598, Damp location, Wet with ST trim,



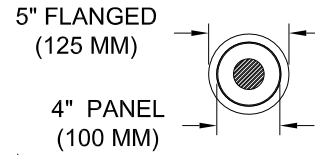
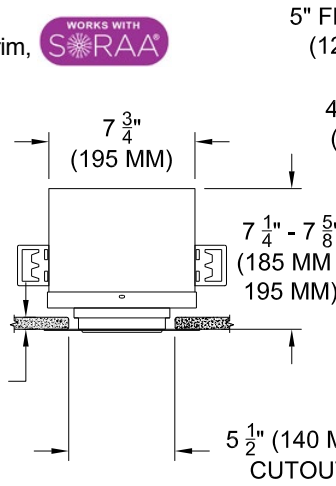
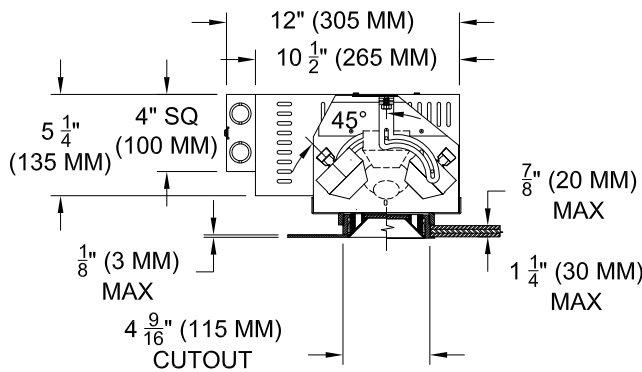
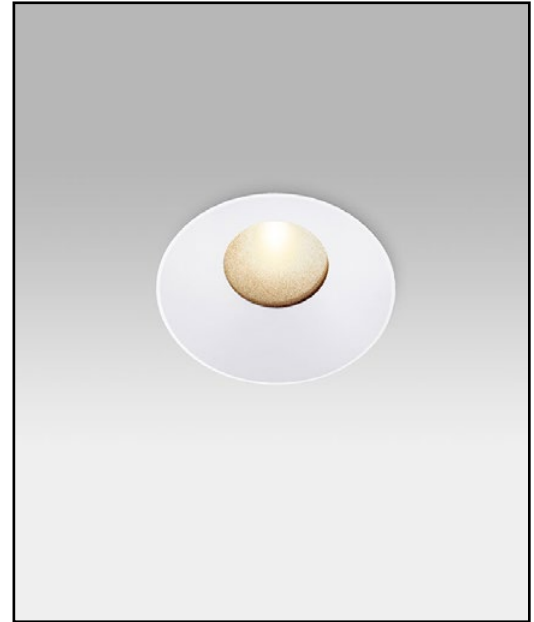
**JOB:** \_\_\_\_\_

**SPECIFIER:** \_\_\_\_\_

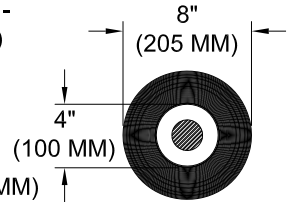
**TYPE:** \_\_\_\_\_

**QUANTITY:** \_\_\_\_\_

**SIGNATURE:** \_\_\_\_\_



REFLECTED PLAN VIEW  
FLANGED/PANEL TRIM



**ORDERING INFORMATION**

1001M_MR16-UH	TRIM	TRANSFORMER	LENS HOLDER	LAMP LENS	FINISH	APERTURE LENS
Multi-Lamp Universal Housing 2MR16= 2 lamp 3MR16= 3 lamp* <small>*20w max each</small>	FT=Flanged Trim PT=Panel Trim** ST=Shower Trim* ZT=Zero Trim <small>**WXX Only *Aperture lens required</small>	TX=Magnetic / 120v EX=Electronic / 220v EXS=Elect. SORAA* RX=Remote / 240v 277v <small>*Standard 120v</small>	CL=Conical FL=Flat IL=Indexed* <small>*92L Only</small>	90L = Clear-Standard 91L = Solite 92L = Supertex 93L = Frosted 97L = Black Hexcell 98L=UV	P14 = White BLK=Black PXX = SLI Color WXX = Wood XXXX = RAL # CST = Custom	Blank= None 91A = Solite 92A = Supertex 93A = Frosted 95A = Full Prismatic



Patent Pending.  
These specifications subject to change without notice.

[www.specialtylightingindustries.com](http://www.specialtylightingindustries.com)  
1306 Doris Avenue, Ocean, NJ 07712 USA  
800.462.7812 732.517.0800 FAX:732.517.0971