

Single lamp, low-voltage halogen, recessed accent light, nominal 4" (100mm) diameter conical trim with 2" (50mm) aperture and optional glass diffuser. Accent and down-lighting in low to medium ceiling heights typically found in residential, commercial and retail applications. Suitable for new construction. Flangeless trim can be used with in solid surface ceilings such as wood, stone, metal panel or glass.

JOB: _____

SPECIFIER: _____

TYPE: _____

QUANTITY: _____

SIGNATURE: _____

SPECIFICATIONS

HOUSING

- Precision die-formed heavy gauge aluminum with machined adjustable ceiling collar

MOUNTING

- Recessed in architectural ceiling

ELECTRICAL

- Remote transformer required- sold separately
- Transformer should be sized for the run length
- External thermoprotector

LAMP

- MR-16, 50w max. supplied by others

SOCKET

- Precision die-formed aluminum yoke with CNC machined lampholder assembly
- G4/G6 ceramic socket with high temperature, teflon coated lead wires

LENS

- Clear pyrex safety lens. Optional borosilicate lenses available for lampholder and aperture


TRIM

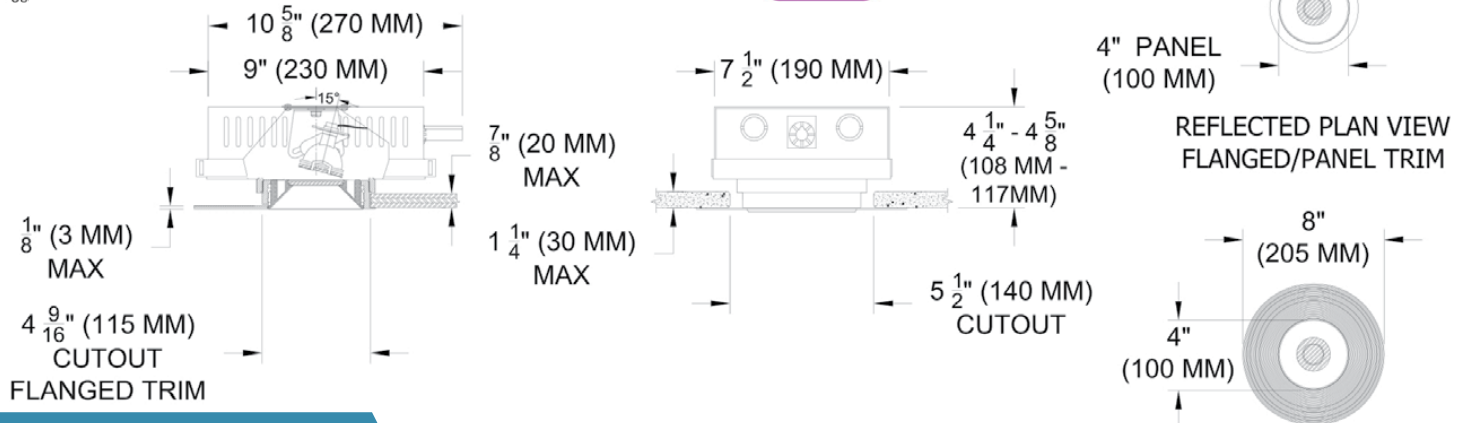
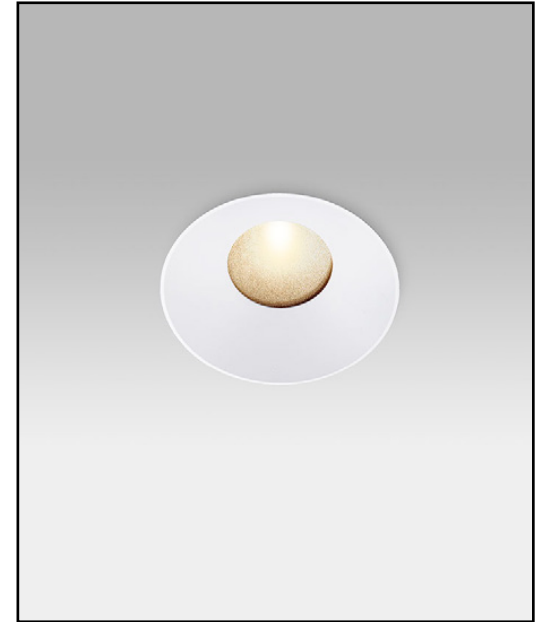
- Flanged or flangeless, die-cast aluminum conical shield with round aperture
- ST trim fully sealed and gasketed

FINISH

- Black powder paint housing
- Aperture trim available in black and white as standard
- Solid wood, additional colors, RAL palette, custom finishes available

LABELS

-  US, US tested to UL standards 1598, Damp location, Wet with ST trim,



ORDERING INFORMATION

MODEL	TRIM	TRANSFORMER	LENS HOLDER	LAMP LENS	TRIM FINISH	APERTURE LENS
1001-MR16-TUH						
Thin Universal Housing	FT =Flanged Trim PT =Panel Trim** ST =Shower Trim* ZT =Zero Trim **WXX Only *Aperture lens required	RX =Remote / 120v / 277v	CL =Conical FL =Flat IL =Indexed* *92L Only	90L = Clear-Standard 91L = Solite 92L = Supertex 93L = Frosted 97L = Black Hexcell 98L = UV	P14 = White BLK =Black PXX = SLI Color WXX = Wood XXXX = RAL # CST = Custom	Blank = None 91A = Solite 92A = Supertex 93A = Frosted 95A = Full Prismatic



Patent Pending.
 These specifications subject to change without notice.

www.specialtylightingindustries.com
 1306 Doris Avenue, Ocean, NJ 07712 USA
 800.462.7812 732.517.0800 FAX:732.517.0971