

Single lamp, solid state light engine, recessed accent light, nominal 4" (100mm) conical trim with 2" (50mm) aperture and optional glass diffuser. Accent and downlighting in low to medium ceiling heights typically found in residential, commercial and retail applications. Suitable for new construction. AmbientDim™ provides Superior CRI at all dimming levels.

SPECIFICATIONS

HOUSING

- Precision die-formed heavy gauge aluminum

MOUNTING

- Recessed in architectural ceiling

ELECTRICAL

- Integral dimmable electronic driver with internal short circuit protection

LAMP

- AmbientDim™ LED supplied with fixture

SOCKET

- Precision aluminum yoke with CNC machined lampholder assembly

LENS

- Interchangeable reflector provides multiple beam patterns
- Optional borosilicate lenses available for aperture


TRIM

- Flanged or flangeless ceiling collar/Diecast conical shield with round aperture
- ST trim fully sealed and gasketed

FINISH

- Black powder paint housing
- Aperture trim available in black and white as standard
- Solid wood, additional colors, RAL palette, custom finishes available

LABELS

-  , US tested to UL standards 1598, Damp location, Wet with ST trim

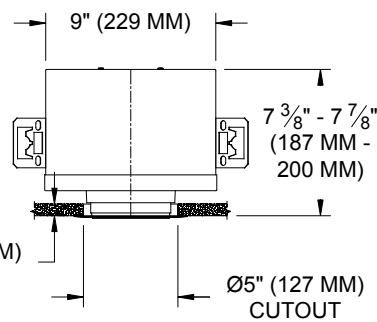
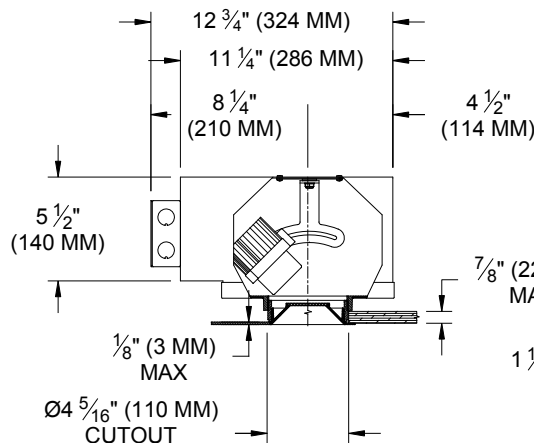
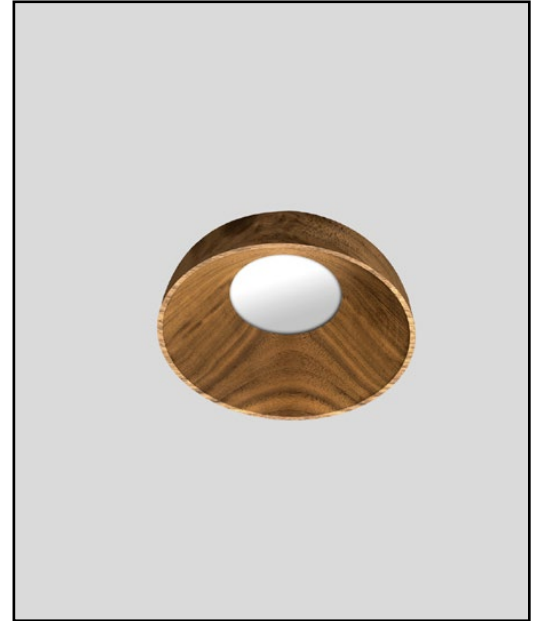
JOB: _____

SPECIFIER: _____

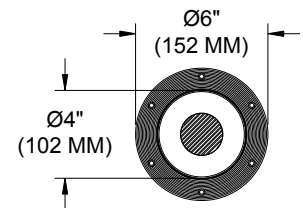
TYPE: _____

QUANTITY: _____

SIGNATURE: _____



REFLECTED PLAN VIEW FLANGED/PANEL TRIM



ORDERING INFORMATION

1001-LED-AD-UH	TRIM	SOURCE / DRIVER	BEAMSPREAD	TRIM FINISH	APERTURE LENS
		AD14 /			
Universal Housing Ambient Dimming LED *CCT Max 3000K-1900K	FT =Flanged Trim PT =Panel Trim** ST =Shower Trim* ZT =Zero Trim **WXX Only *Aperture lens required	AD14 =350ma, 14.5W, 1000lm S1 =0-10V dimming, 1%, 120-277v T1 =TRIAC/ELV 2-wire, 3% 120v (Lead/Trail Edge) E1 =EldoLED 0-10V Logarithmic Dim, 0.1%, 120-277v E2 =EldoLED DALI, 0.1%, 120-277v E3 =EldoLED 0-10V Linear Dim, 0.1%, 120-277v L2 =Ltrn Hi-lume 1% 2-wr LED driver (120v fwd phase) L3 =Lutron Hi-lume 1% 3-wire/EcoSystem, 120-277v LTB =Lutron Hi-lume 1% EcoSys LED driver, 1%, 120-277v, Soft-on, Fade-to-Black	15 = 15 Degrees 24 = 24 Degrees 38 = 38 Degrees 60 = 60 Degrees	P14 = White BLK =Black PXX = SLI Color WXX = Wood XXXX = RAL # CST = Custom	Blank = None 90A = Clear 91A = Solite 92A = Supertex 93A = Frosted

Patent Pending.
 These specifications subject to change without notice.

www.specialtylightingindustries.com

1306 Doris Avenue, Ocean, NJ 07712 USA

800.462.7812 732.517.0800 FAX:732.517.0971

