

Single lamp, low-voltage halogen, recessed accent light, nominal 6" (160mm) diameter flat trim with 4" (100mm) aperture and optional glass diffuser. Accent and downlighting in medium to high ceiling heights typically found in residential, commercial and retail applications. Suitable for new construction.

**JOB:** \_\_\_\_\_

**SPECIFIER:** \_\_\_\_\_

**TYPE:** \_\_\_\_\_

**QUANTITY:** \_\_\_\_\_

**SIGNATURE:** \_\_\_\_\_

## SPECIFICATIONS

### HOUSING

- Precision die-formed heavy gauge aluminum with machined adjustable ceiling collar
- Airtight construction suitable for direct contact with insulation

### MOUNTING

- Recessed in architectural ceiling

### ELECTRICAL

- Integral dimmable electronic toroidal magnetic transformer
- 120v primary lead, (220v, 240v, 277v available), 11.75v secondary with overload protection. Remote transformer available

### LAMP

- AR111, 75w max. supplied by others

### SOCKET

- Precision aluminum yoke with CNC machined lampholder assembly
- Quick connect terminals with high temperature, teflon coated lead wires

### LENS

- Optional borosilicate lenses available for lampholder and aperture


### TRIM

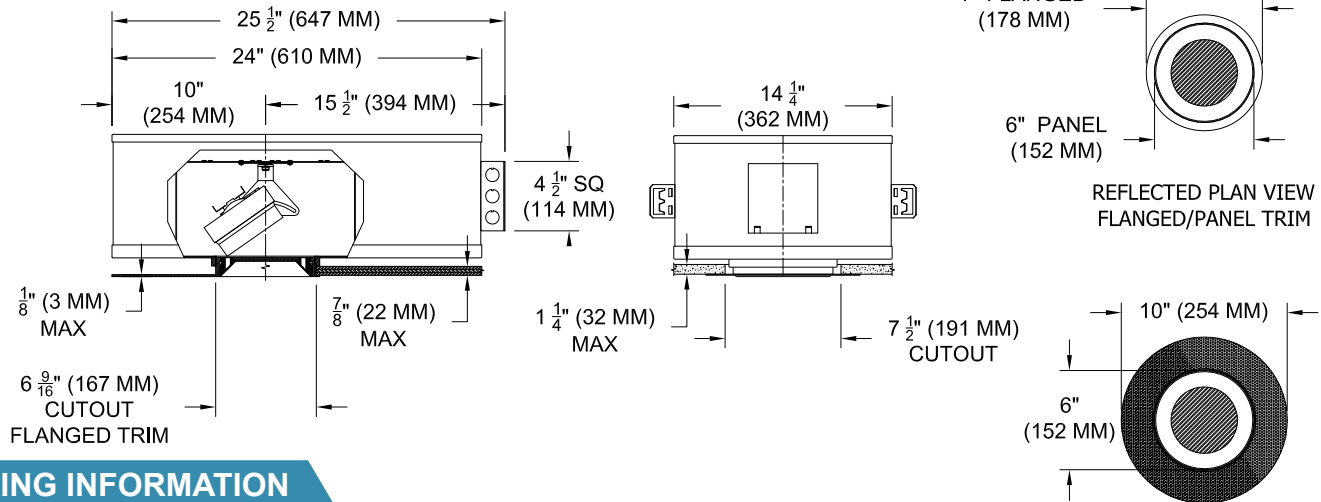
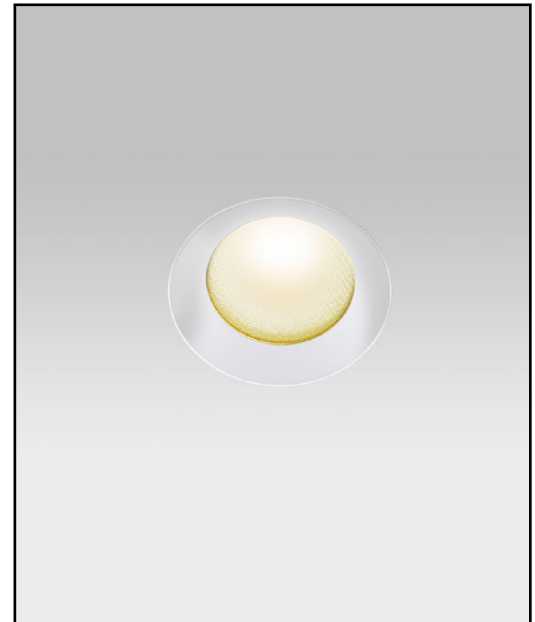
- Flanged or flangeless ceiling collar/ Die-cast conical shield with round aperture
- ST trim fully sealed and gasketed

### FINISH

- Black powder paint housing
- Aperture trim available in black and white as standard
- Solid wood, additional colors, RAL palette, custom finishes

### LABELS

-  US tested to UL standards 1598, Damp location, Wet with ST trim, IC/Airtight,



## ORDERING INFORMATION

1001-AR111-AUH	TRIM	TRANSFORMER	LENS HOLDER	LAMP LENS	TRIM FINISH	APERTURE LENS
Airtight Universal Housing	<b>FT</b> =Flanged Trim <b>PT</b> =Panel Trim** <b>ST</b> =Shower Trim* <b>ZT</b> =Zero Trim **WXX only *Aperture lens required	<b>TX</b> =Magnetic / 120v <b>EX</b> =Electronic / 220v <b>EXS</b> =Elect. SORAA* <b>RX</b> =Remote / 240v / 277v *Standard 120v	<b>FL</b> = Flat	<b>Blank</b> = None <b>91L</b> =Solite <b>92L</b> = Supertex <b>95L</b> = Full Prismatic <b>97L</b> = Black Hexcell	<b>P14</b> = White <b>BLK</b> =Black <b>PXX</b> = SLI Color <b>WXX</b> = Wood <b>XXXX</b> = RAL # <b>CST</b> = Custom	<b>Blank</b> = None <b>91A</b> = Solite <b>92A</b> = Supertex <b>93A</b> = Frosted <b>95A</b> = Full Prismatic



Patent Pending.  
 These specifications subject to change without notice.

**www.specialtylightingindustries.com**  
 1306 Doris Avenue, Ocean, NJ 07712 USA  
 800.462.7812 732.517.0800 FAX:732.517.0971