

Dual lamp, solid state light engine, recessed accent light, nominal 4" (100mm) diameter flat trim with 2" (50mm) aperture and optional glass diffuser. Accent and down-lighting in medium to high ceiling heights typically found in residential, commercial and retail applications. Suitable for new construction. AmbientDim™ provides Superior CRI at all dimming levels.

## SPECIFICATIONS

### HOUSING

- Precision die-formed heavy gauge aluminum with machined adjustable ceiling collar
- Airtight construction suitable for direct contact with insulation

### MOUNTING

- Recessed in architectural ceiling

### ELECTRICAL

- Integral dimmable electronic driver with internal short circuit protection
- 120v-277v primary, compatible with 0-10v dimmers / Available for 120 phase control and Lutron.

### LAMP

- (2) AmbientDim™ LEDs supplied with fixture

### SOCKET

- Precision aluminum yoke with CNC machined lampholder assembly
- **Usocket™** allows easy field replacement of light engine

### LENS

- Interchangeable reflector provides multiple beam patterns
- Optional borosilicate lenses available for aperture


### TRIM

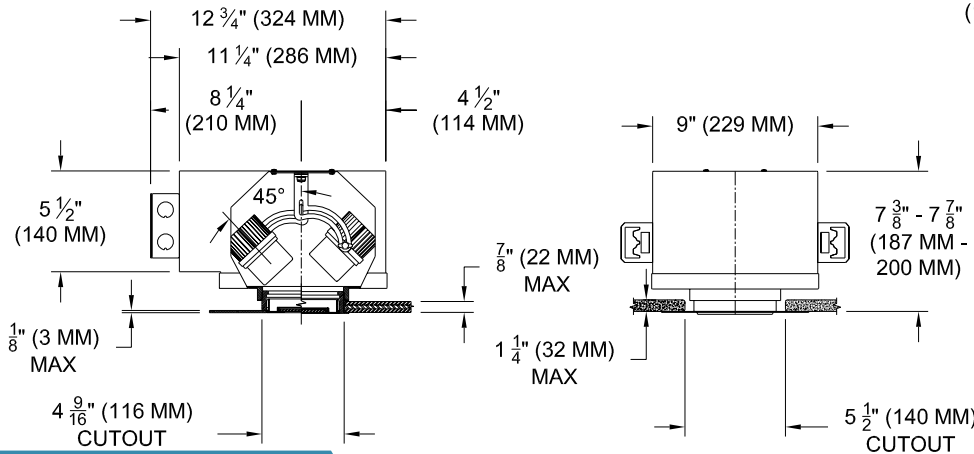
- Diecast aperture plate with flanged or flangless ceiling collar
- ST trim fully sealed and gasketed

### FINISH

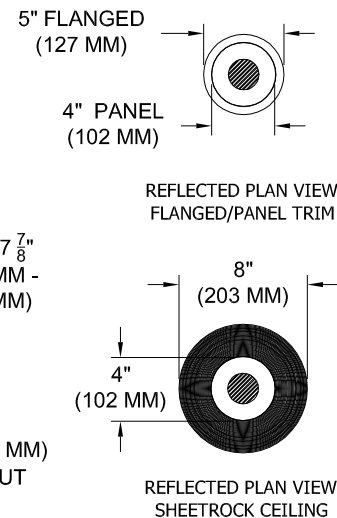
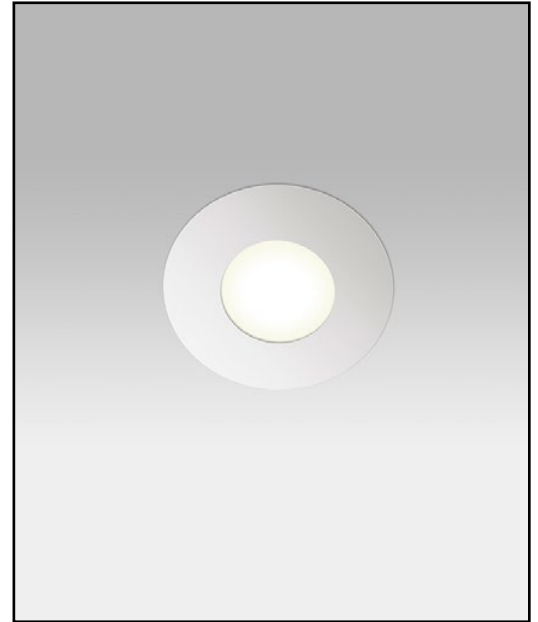
- Black powder paint housing
- Aperture trim available in black and white as standard
- Solid wood, additional colors, RAL palette, custom finishes available

### LABELS

-  , US tested to UL standards 1598, Damp location, Wet with ST trim, IC/Airtight



**AmbientDim™**



## ORDERING INFORMATION

1000M-2LED-AD-AUH	TRIM	DRIVER	BEAMSPREAD	TRIM FINISH	APERTURE LENS
		<b>AD14</b>			
Airtight Universal Housing Ambient Dimming LED  *CCT Max 3000K-1900K	<b>FT</b> =Flanged Trim <b>PT</b> =Panel Trim** <b>ST</b> =Shower Trim* <b>ZT</b> =Zero Trim  **WXX only *Aperture lens required	<b>AD14</b> =350ma, 14.5W, 1000lm  *Add <b>DM2</b> for 2 wire dimming *Add <b>LT2</b> for Lutron 2 wire *Add <b>LT3</b> for Lutron 3 wire *Add <b>LT5</b> for Lutron 5 wire *Add <b>LTB</b> for Lutron Fade-to-Black	<b>15</b> = 15 Degrees <b>24</b> = 24 Degrees <b>38</b> = 38 Degrees <b>60</b> = 60 Degrees	<b>P14</b> = White <b>BLK</b> =Black <b>PXX</b> = SLI Color <b>WXX</b> = Wood <b>XXXX</b> = RAL # <b>CST</b> = Custom	<b>Blank</b> = None <b>90A</b> = Clear <b>91A</b> = Solite <b>92A</b> = Supertex <b>93A</b> = Frosted

\*Lutron Only- 2 circuit box required / Request separate cutsheet

Patent Pending.

These specifications subject to change without notice.

[www.specialtylightingindustries.com](http://www.specialtylightingindustries.com)

1306 Doris Avenue, Ocean, NJ 07712 USA

800.462.7812 732.517.0800 FAX:732.517.0971

02/17